

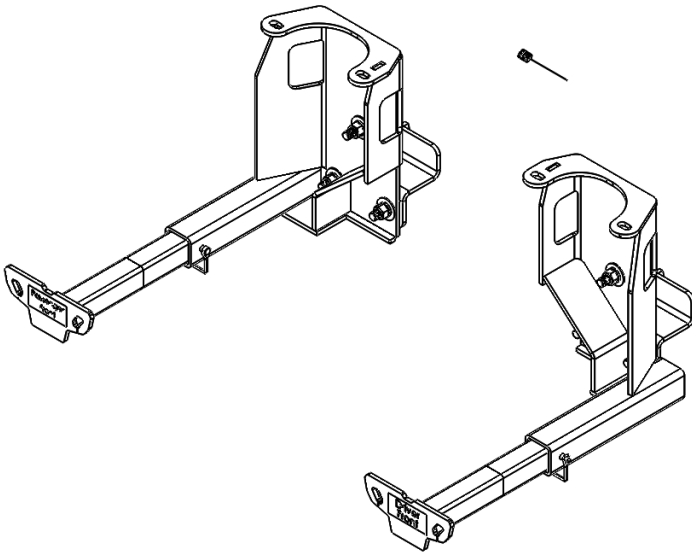


# **TORKLIFT**

## **INTERNATIONAL**

**OVER 40 YEARS OF INNOVATION, QUALITY, SAFETY.  
IMPORTANT OWNER-OPERATOR INSTALLATION INSTRUCTIONS**

### **D2140 - Front Tie Down Kit**



Version Number: 4, Date: 5/12/2021 By: CW

**TECH SUPPORT (800) 246-8132**

**AFTER INSTALL, PLEASE GIVE  
THIS BOOKLET TO YOUR CUSTOMER**

# Warnings

## Truck Bed and Camper Protection

Torklift **does not** recommend installing your camper on top of a plastic bed liner (or other compressible material such as foam). These materials can act as a spring, causing increased vertical truck camper movement independent of the vehicle. Plastic bed liners can slide on the truck bed surface, and the truck camper can slide on top of the bed liner. Using a plastic bed liner or similar compressible material will void your warranty and may additionally cause truck bed and/or camper damage.

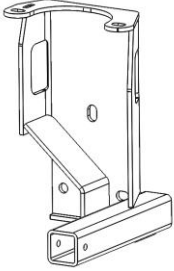
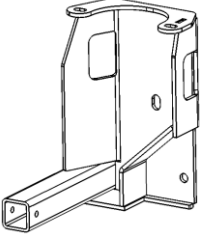
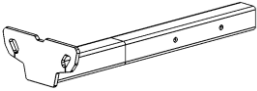
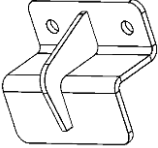
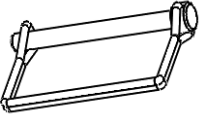

Minor movement or settling can occur in some incidental harsh driving conditions (on or off-road). A rubber bed mat is recommended to protect the truck bed and camper, but is not a requirement to maintain the Torklift legendary lifetime warranty.


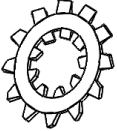


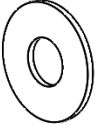

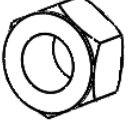

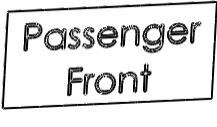
## Suspension

To significantly reduce body roll, sag and sway Torklift strongly recommends the StableLoad. Torklift International StableLoads improve safety, handling, and to help level your truck. More information can be found at ([www.Torklift.com/stableload](http://www.Torklift.com/stableload)).

If your truck is additionally equipped with suspension air bags Torklift cautions against over pressurization as this may lead to unsafe vehicle handling characteristics. We have found that airbags used in conjunction with StableLoads have allowed operators to lower air bag pressure by 50% or more. Only pressurize suspension air bags enough to level the truck.

## Parts Inventory

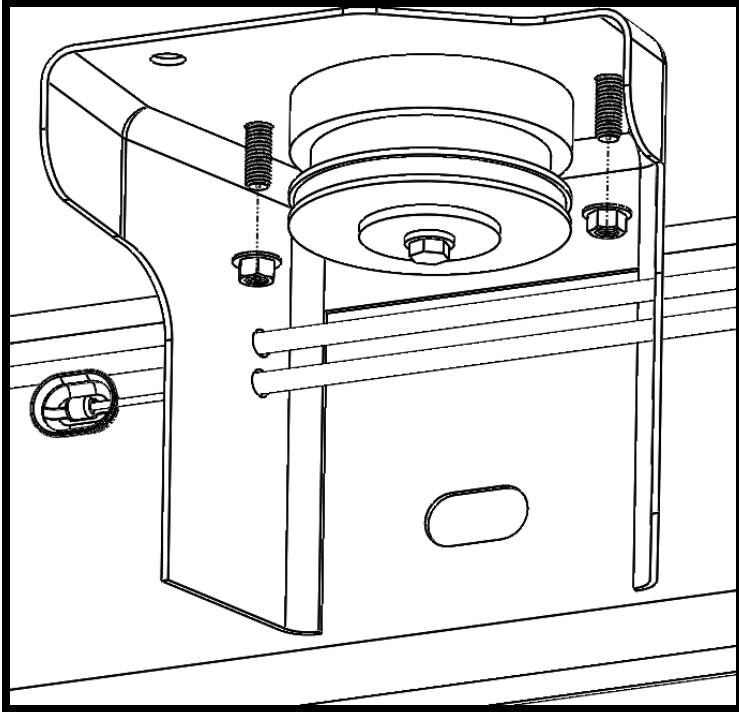
Item Image	Item Description	Qty	Part #
	Driver Side Tie Down Receiver	1	D2140-W1-D
	Passenger Side Tie Down Receiver	1	D2140-W1-P
	Tie Down Insert	2	TD-INS-MS-W12
	D2140-W2	2	D2140-W2
	Tie Down Snapper Pin	2	1452
	1/2" Bolt Fisher	1	3818

	1/2"-13 x 2" - Hex Bolt - Grade 5	2	3442
	1/2" - Star Washer	2	4566
	1/2"-13 x 1-3/4" - Hex Bolt - Grade 5	4	10078
	1" x 2" x 1/2" - Plate Washer	2	10859
	1/2" - USS - Flat Washer	10	6039
	1/2" - Split Lock Washer	7	9302
	1/2"-13 - Hex Nut - Grade 8	6	1751
	Sticker - Driver Front	1	3844
	Sticker - Driver Passenger	1	3845

## Step 1:

Begin by Removing the two factory nuts located at the top of the cab mounting bracket on the driver side. Keep the factory nuts, they will be reinstalled later. See Figure 1.1

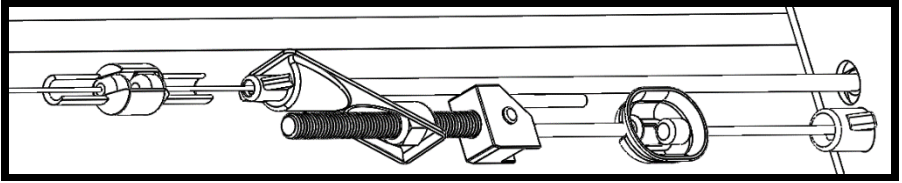
**Figure 1.1**



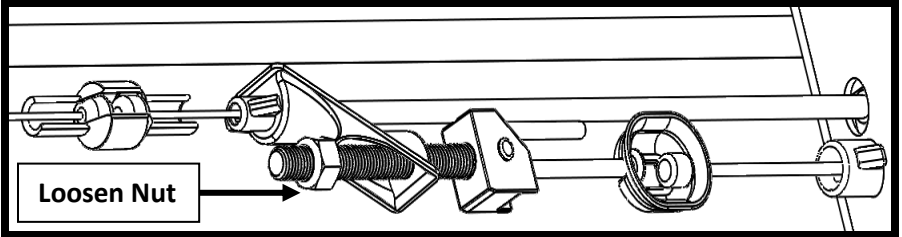
## Step 2:

Remove the parking brake cable. Mark or count how many threads are exposed before loosening. Loosen the cable adjustment screw until the nut is completely backed off. See Figure 2.1 & 2.2. Remove the cable from the coupler shown in Figure 2.3. To release the cable, push forward and remove from bracket. See figure 2.3

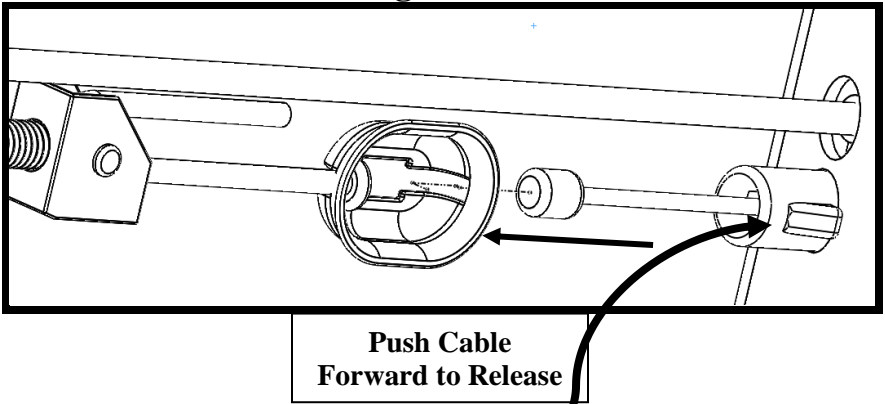
**Figure 2.1**



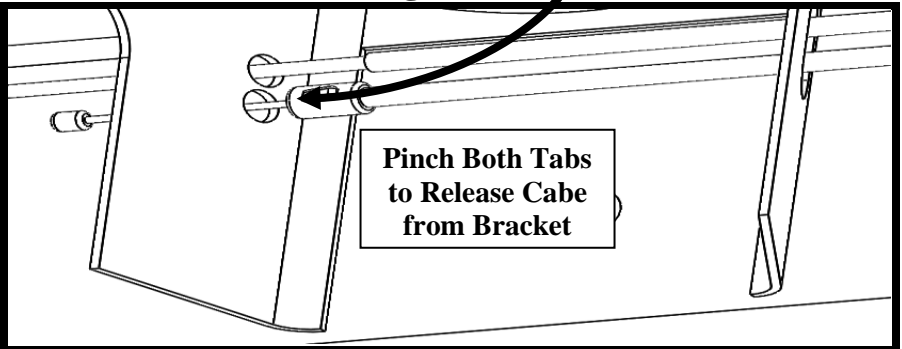
**Figure 2.2**



**Figure 2.3**

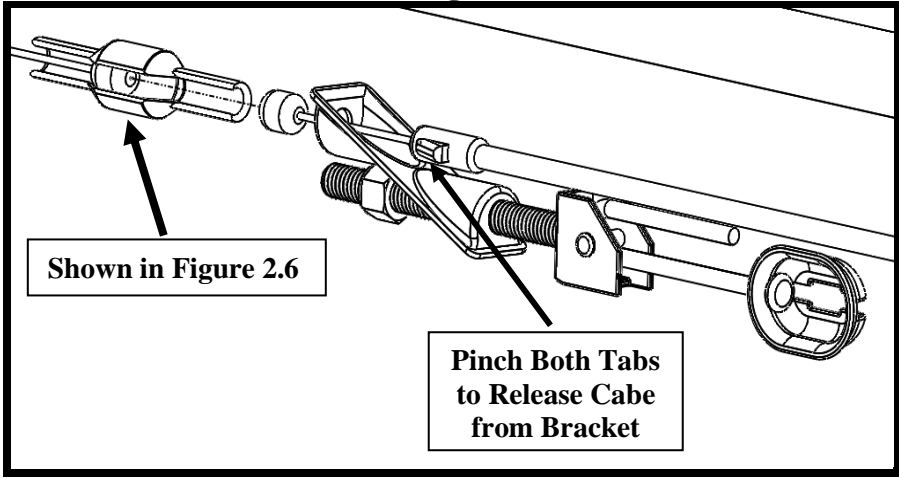


**Figure 2.4**

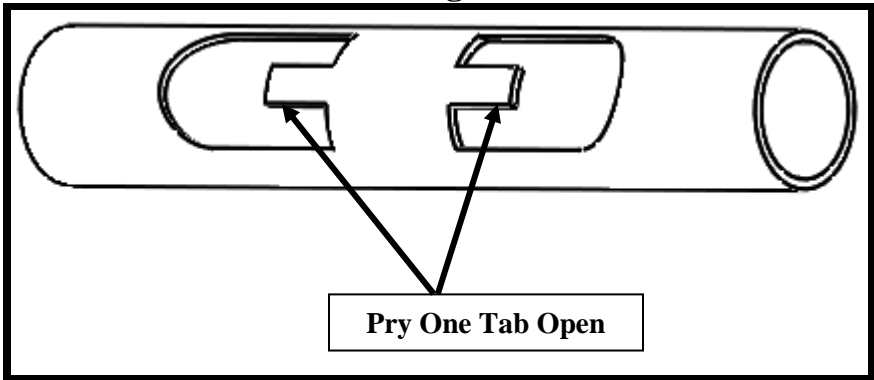


Remove the main cable from the parking brake. To remove the cable, start by using a screwdriver to pry open one of the two tabs on the coupler, then push forward to release. Remove cables from the vehicle mounting location to allow better access to the frame. See figure 2.4 & 2.5 & 2.6.

**Figure 2.5**



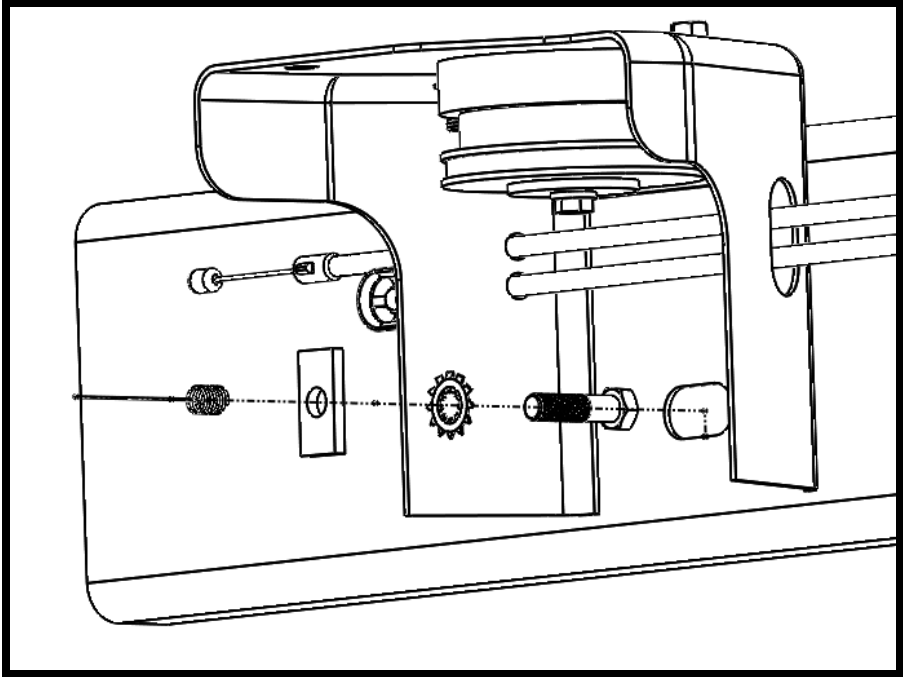
**Figure 2.6**



### Step 3:

Attach a ½” x 2” bolt to the bolt fisher, star washer and plate washer. Insert the hardware into the frame and leave bolt fisher attached. See Figure 3.1.

**Figure 3.1**

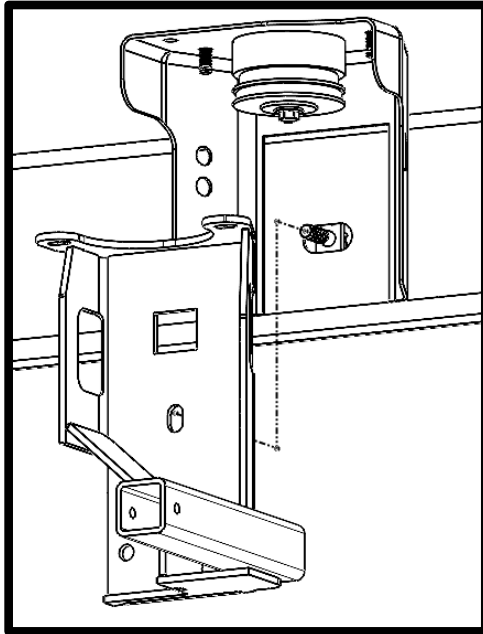


### Step 4:

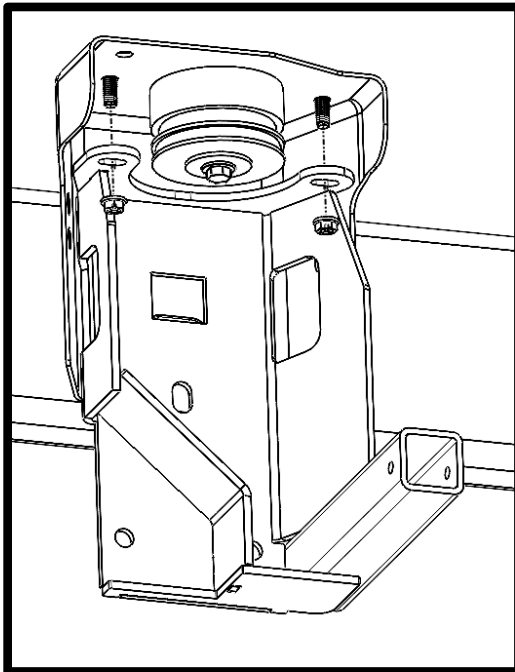
Fish the tail end of the bolt fisher through the middle tie down hole. Raise the tie down into place while pulling the bolt fisher through. Align the two holes on the tie down with studs in frame. Reinstall the factory nuts removed on Step 1: Torque to 25ft-lbs See Figure 4.1 & 4.2.



**Figure 4.1**



**Figure 4.2**



## Step 5:

Carefully remove the bolt fisher and install one ½” flat washer, lock washer, and nut. Leave hardware loose. See figure 5.1.

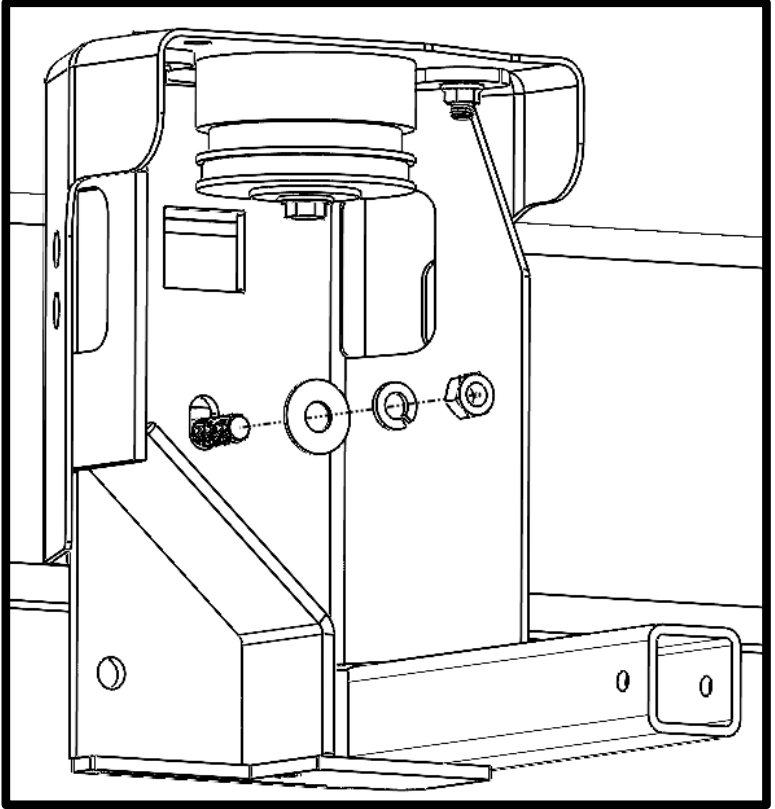
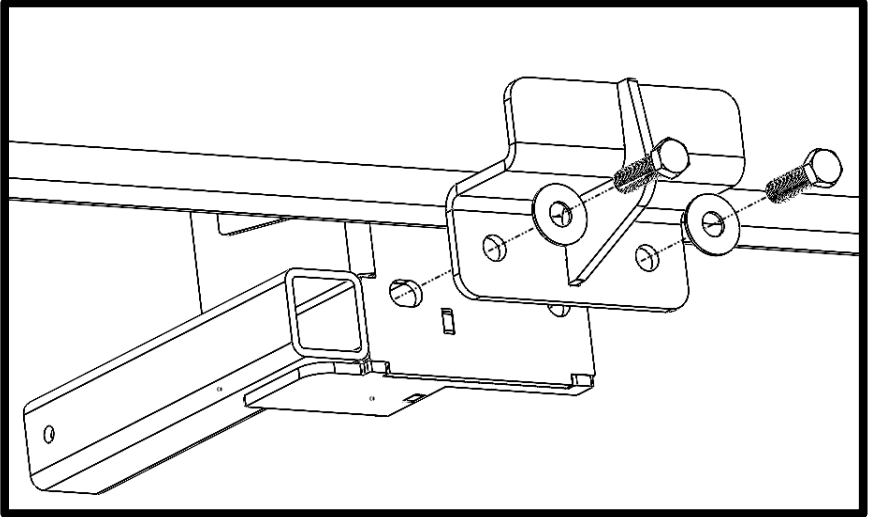


Figure 5.1

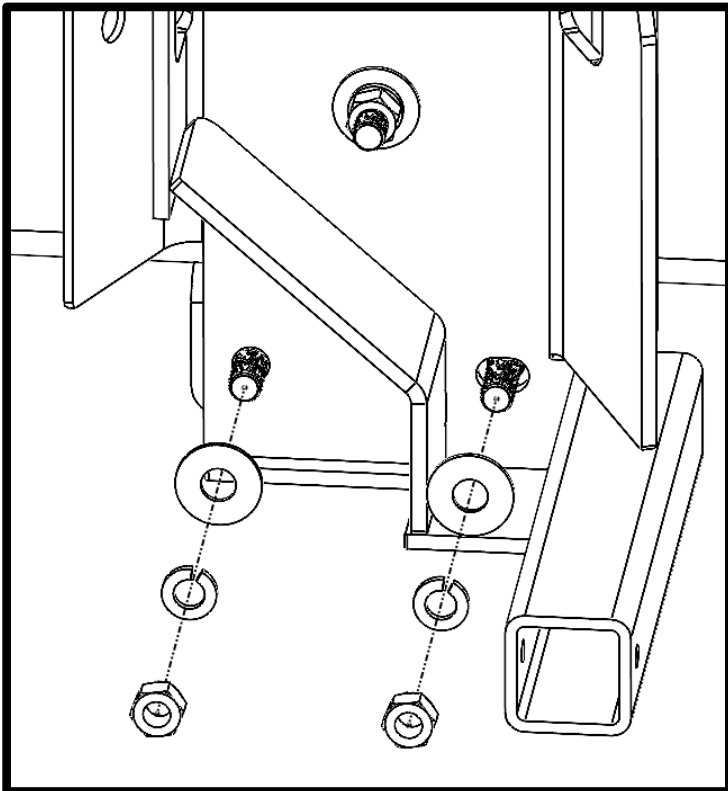
## Step 6:

Install the tie down clamp from the inside of the frame. Insert two ½” x 1-¾” bolts, flat washers through the clamp with the bolts facing outward. Secure the clamp using a flat washer, lock washer and a nut. Torque all ½” hardware to 75ft-lbs. See Figure 6.1 & 6.2.

**Figure 6.1**



**Figure 6.2**



## Step 7:

Reinstall the parking brake cable in the reverse order of removal. Refer to previous steps. Install the parking brake tensioner nut in approximately where it was before removal. **Test Emergency brake** for proper operation, adjust the nut if necessary. Repeat steps 1,3,5 & 6 on the passenger side.

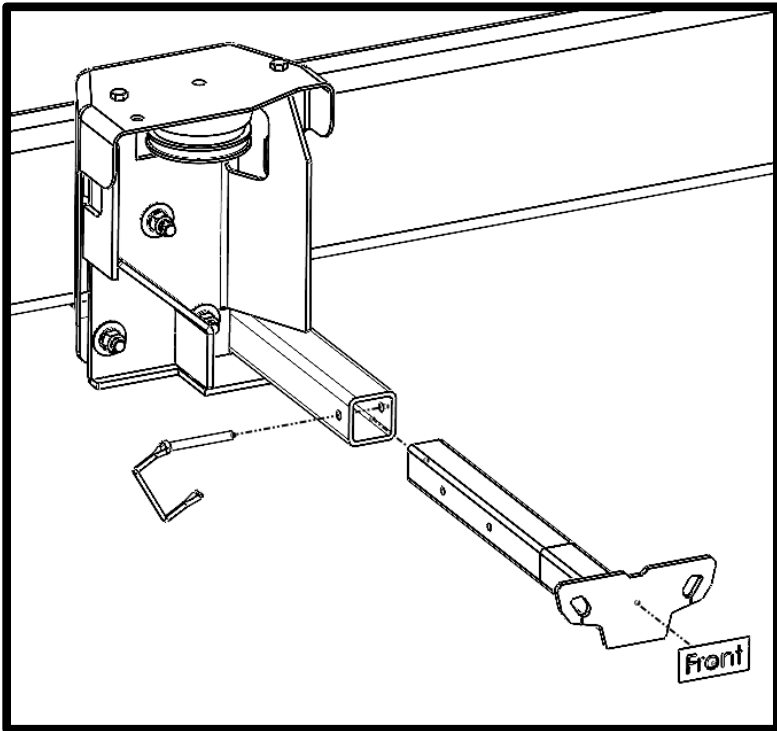
## Step 8: Install Tie Down Inserts

Insert one of the tie down inserts into each tie down receiver.

Pin the inserts in place with a 2-1/4" bail pin. Either hole in the insert can be used. We recommend at least 1" (25mm) of clearance between the body and turnbuckles when setup.

Place a front insert sticker onto the face of each insert. See Figure 8.1.

**Figure 8.1**



**IMPORTANT NOTE:** *Your tie down inserts are designed to have clearance inside of the receiver. This is to account for road debris, as well as aid in installation and removal. Some rattle may be expected if the inserts are left installed while not under load from the camper.*

**Installation is complete.**

# **Torklift International Limited Lifetime Warranty Information**

322 Railroad Ave North, Kent, WA 98032

Torklift will require proof of purchase to register, with pictures of any defective product before issuing a replacement. Torklift will not register any product without proof of purchase, which can be faxed, scanned, emailed, or mailed to the information provided below. Torklift warrants its hitches, custom hitch receivers, frame mounted tie downs, turnbuckles, and accessories (excluding wire harnesses which carry a 90 day warranty) from date of purchase against defects in material and workmanship under normal use and service for the ownership life of the original consumer purchaser. All plastic, rubber, and/ or electrical components maintain a warranty of up to one year from the date of the purchase. **ALL COMMERCIAL APPLICATIONS ARE WARRANTED FOR A PERIOD OF 90 DAYS FROM THE DATE OF INSTALLATION/SERVICE.** Torklift will replace **FREE OF CHARGE** any part which proves defective in material or workmanship when presented to Torklift, **TRANSPORTATION CHARGES PREPAID** by purchaser, at the address above. **THIS WARRANTY IS LIMITED TO DEFECTIVE PARTS REPLACEMENT ONLY. LABOR CHARGES AND/OR DAMAGE INCURRED IN INSTALLATION OR REPLACEMENT, AS WELL AS INCIDENTAL AND CONSEQUENTIAL DAMAGES CONNECTED THEREWITH ARE EXCLUDED.** This warranty does not include the finish or paint on our products. Rusting, cracking or peeling of the finish is also excluded. Some states do not allow the exclusion or limitation of incidental or consequential damages, so the above limitation or exclusion may not apply to you. Any damage to Torklift products as a result of misuse, abuse, neglect, accident, improper installation or any use violation of instructions furnished by Torklift or **WHEN USED IN ANY COMMERCIAL APPLICATION WILL VOID THE WARRANTY.** This warranty gives you specific legal rights, and you may also have rights which vary from state to state. With warranty service, you may be able to go to a small claims court, a state court or a federal district court.



## ***INTERNATIONAL***

**322 Railroad Ave North, Kent, WA 98032**

**Phone (800) 246-8132 Fax (253) 854-8003**

**Or visit our website: [www.TorkLift.com](http://www.TorkLift.com)**

Dear Valued Customer,

Thank you for making TorkLift your choice for truck, camper packages and accessories for your vehicle. By choosing TorkLift products, you have chosen a company that has been serving the RV industry for nearly 40 years and whose name has become synonymous with strength, quality and advanced design and installation.

Please take a few moments of your time to complete the Product Registration Warranty Card on the next page. When registering your newly purchased TorkLift products, you can be assured that your contact information is secure and that you and your product are getting the attention and respect that you deserve.

Thank you again for choosing TorkLift quality products.

**Register for your lifetime warranty and receive a free Torklift International gift.**

To Fax: Send copies of the questionnaire, warranty card and receipt to  
253-854-8003

To E-mail: Send copies of the questionnaire, warranty card and receipt to  
[warranty@torklift.com](mailto:warranty@torklift.com)

To Mail: Send to Torklift International 322 Railroad Ave North, Kent, WA 98032



## OFFICIAL WARRANTY REGISTRATION CARD

**322 Railroad Ave North, Kent, Wa 98032**

Please fill out this form completely and return to Torklift within 30 days of purchase accompanied by a copy of your original receipt

### 1. PART(S) PURCHASED

TODAY'S DATE: \_\_\_\_\_

PART#: \_\_\_\_\_ PART#: \_\_\_\_\_

PART#: \_\_\_\_\_ PART#: \_\_\_\_\_

PART#: \_\_\_\_\_ PART#: \_\_\_\_\_

### 2. PURCHASER INFORMATION

NAME: \_\_\_\_\_

ADDRESS: \_\_\_\_\_

CITY: \_\_\_\_\_ STATE: \_\_\_\_\_ ZIP / POSTAL CODE: \_\_\_\_\_

PHONE: (\_\_\_\_) \_\_\_\_\_ - \_\_\_\_\_ EMAIL: \_\_\_\_\_

### 3. TRUCK INFORMATION

YEAR: \_\_\_\_\_ MAKE: \_\_\_\_\_

MODEL: \_\_\_\_\_ BED LENGTH: \_\_\_\_\_

### 4. CAMPER INFORMATION

YEAR: \_\_\_\_\_ MAKE: \_\_\_\_\_ MODEL: \_\_\_\_\_

### 5. DEALER INFORMATION

PURCHASED FROM: \_\_\_\_\_

ADDRESS: \_\_\_\_\_

CITY: \_\_\_\_\_ STATE: \_\_\_\_\_ ZIP / POSTAL: \_\_\_\_\_

INSTALLED BY: \_\_\_\_\_ OWNER ABOVE DEALER ANOTHER DEALER

IF ANOTHER DEALER, WHO: \_\_\_\_\_