

# INSTALLATION MANUAL

**P4092**

## Level of Difficulty

Easy

## Parts List

1	Grille guard
2	Frame mounting bracket
1	Driver / left mounting bracket
1	Passenger / right mounting bracket
1	Driver / left top bracket
1	Passenger / right top bracket
2	Double bolt plate, 12-1.75mm x 30mm
2	Single bolt plate, 12-1.75mm x 35mm
6	Flat washer, 12mm x 24mm OD x 2.5mm
6	Lock washer, 12mm
6	Hex nut, 12-1.75mm
6	Hex bolt, 10-1.50mm x 30mm
12	Flat washer, 10mm x 27mm OD x 3mm
6	Lock washer, 10mm
6	Hex nut, 10-1.50mm
6	Hex bolt, 8-1.25mm x 30mm
6	Flat washer, 8mm x 24mm OD x 2mm
6	Lock washer, 8mm
2	Adhesive backed foam tape

## Tools Required

Ratchet	Utility knife
Torque wrench	Socket set

## Torque Specifications

M6 bolt	3 ft.-lbs.
M8 bolt	7 ft.-lbs.
M10 bolt	16 ft.-lbs.
M12 bolt	28 ft.-lbs.

Use above torque setting unless otherwise noted

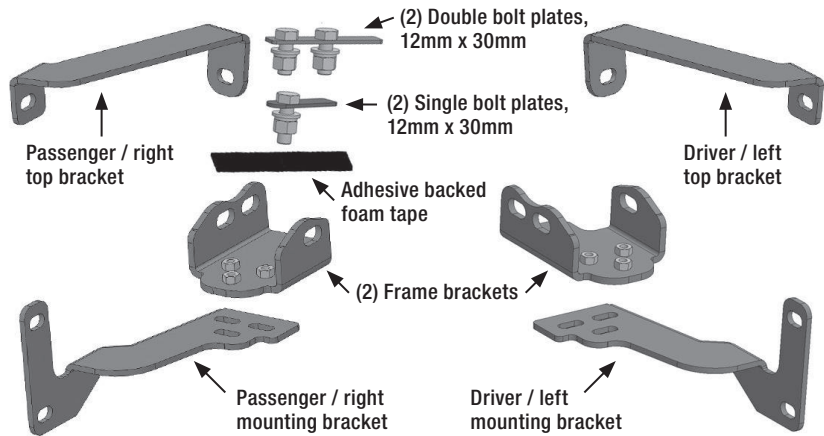
## Product Registration and Warranty

CURT Group stands behind our products with industry-leading warranties. Provide feedback and help us to improve our products by registering your purchase at: [warranty.curtgroup.com/surveys](http://warranty.curtgroup.com/surveys)

## Product Photo



## Brackets and Hardware



## NOTICE

Before you begin installation, read all instructions thoroughly.

Proper tools will improve the quality of installation and reduce the time required.

To help prevent damage to the product or vehicle, refer to the specified torque specifications when securing hardware during the installation process.

## Maintenance

To protect the product, wax after installing. Regular waxing is recommended to add a protective layer over the finish. Do not use any type of polish or wax that may contain abrasives that could damage the finish.

For polished, gloss and other smooth finishes, polish may be used to clear small scratches and scuffs on the finish.

Mild automotive detergent may be used to clean the product. Do not use dish detergent, abrasive cleaners, abrasive pads, wire brushes or other similar products that may damage the finish.

## PROCEDURE:

**REMOVE CONTENTS FROM BOX AND VERIFY ALL PARTS ARE PRESENT. READ INSTRUCTIONS CAREFULLY. CUTTING MAY BE REQUIRED. ASSISTANCE IS HIGHLY RECOMMENDED. INSTALLATION MAY INTERFERE WITH FRONT MOUNTED SENSORS.**

### LED Light Install (If not installing LED lights, proceed to Step 3):

1. Start by Selecting your LED light (**Sold Separately**) mounting hardware & brackets, you will need to first attached the hardware to the support flange. **NOTE: if you have your own LED light, LED Manufactures will have similar but different mounting styles or brackets, once you determine you mounting options attach it to the support flange as seen in (Fig 20)**
2. With the LED light attached to the support flange select the (2) 8mm nut clips place each nut clip into the slotted holes on either side of the support flange, as seen in (**Fig 21**) with the support flange prepare you will need to lay the grill guard face down to install the support flange **NOTE:** (it is recommended to lay out some of the cardboard your grill guard came in or a blanket to protect the grill guard finish). place the grill guard face down with this done place the support flange with the LED attached into the Center flange attach each side of the support flange to the inner brackets inside the center flange of the grill guard with (2) 8mm hex bolts, (2) 8mm flat washers, & (2) 8mm lock washers as seen in (**Fig 22**) Snug but do not tighten at this time.
3. Remove the factory tow hooks and hardware if equipped, (**Figures 1—3**). **IMPORTANT:** Tow hooks cannot be reinstalled with the Grille Guard.  
**Vehicles without tow hooks:**
  - a. Cut out the indented area in both sides of the plastic bumper insert to clear the Brackets as pictured, (**Figure 4 & 5**). **IMPORTANT:** Make several small cuts for best fit. Do not cut through the top or bottom edge of the panel.
4. Select the driver side Frame Bracket and Mounting Bracket, (**Figure 6**). Attach the Mounting Bracket to the bottom of the Frame Bracket with (3) 8mm x 30mm Hex Bolts, (3) 8mm Lock Washers and (3) 8mm Flat Washers, (**Figure 6**). Do not tighten hardware at this time.
5. Insert the Frame Bracket assembly through the opening in the bumper, (**Figures 3 & 4**). **NOTE:** Trim the opening to clear the Bracket assembly as necessary. Line up the holes in the Frame Bracket with the holes in the end of the frame for the tow hook. Select (1) 12mm Double Bolt Plate, (**Figure 7**). Insert the Double Bolt Plate into the end of the frame, through the (2) holes in the side of the frame and out through the Frame Bracket, (**Figures 9, 10B & 11**). Secure the Frame Bracket to the Bolt Plate with (2) 12mm Flat Washers, (2) 12mm Lock Washers and (2) 12mm Hex Nuts. Snug but do not fully tighten hardware at this time.
6. Select (1) 12mm Single Bolt Plate, (**Figure 8**). Secure Frame Bracket to the Bolt Plate with (1) 12mm Flat Washer, (1) 12mm Lock Washer and (1) 12mm Hex Nut, (**Figures 9, 10A & 11**). Snug but do not tighten at this time.
7. Repeat **Steps 2—4** to install the passenger/right Frame Mounting Bracket assembly.
8. Open the hood and remove the cover between the top of the radiator and the grille, (**Figure 12**).
9. Carefully remove the grille from the vehicle. **NOTE:** Grille is held in place with screws at the top and several clips. Remove the screws and firmly pull the grille straight out from the vehicle to release the grille from clips, (**Figure 13**).
10. Move up to the top of the bumper. Select the Driver/left Top Bracket. Apply a layer of the included Adhesive Backed Foam Tame to the bottom of the Bracket, (**Figure 14**).
11. Locate the (2) factory hex bolts attaching the top of the bumper to the inner bumper bracket. Remove the outer hex bolt, (**Figure 15**). Reuse the factory outer hex bolt to attach the Top Bracket to the back of the bumper, (**Figure 16**). Do not tighten hardware at this time.
12. Repeat **Steps 6—9** to install the passenger/right Top Bracket.
13. With assistance, hold the Grille Guard up in position on the outside of the Mounting Brackets, (**Figure 17**). Attach the Grille Guard to the Brackets with (6) 10mm Hex Bolts, (12) 10mm Flat Washers, (6) 10mm Lock Washers and (6) 10mm Hex Nuts, (**Figures 18 & 19**). Do not tighten hardware at this time.

14. Check the Grille guard alignment with the vehicle. Adjust as required then fully tighten the Bracket to vehicle hardware only. Do not fully tighten the Grille Guard to Bracket hardware at this time.
15. Reinstall the grille and top cover. **NOTE:** Loosen the hardware attaching the Grille Guard to the Brackets and tilt the Grille Gard forward to make room to reinstall the grille. Reinstall the Grille Guard. Level and adjust the Grille Guard and fully tighten all hardware.
16. Do periodic inspections to the installation to make sure that all hardware is secure and tight.

**To protect your investment**, wax this product after installing. Regular waxing is recommended to add a protective layer over the finish. Do not use any type of polish or wax that may contain abrasives that could damage the finish.

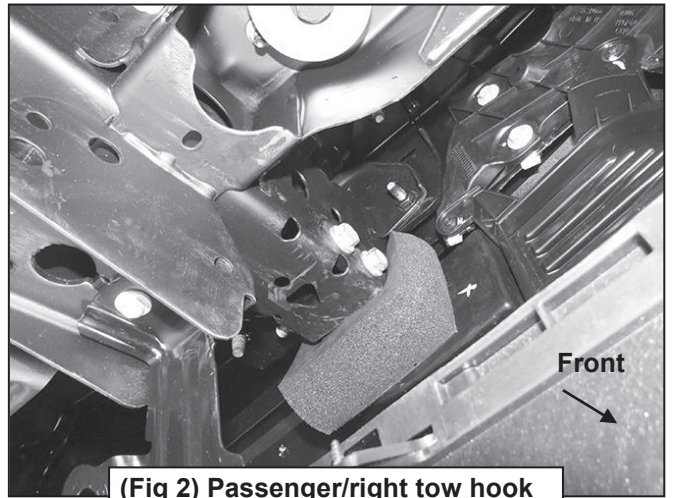
**For stainless steel:** Aluminum polish may be used to polish small scratches and scuffs on the finish. Mild soap may be used also to clean the Grille Guard.

**For gloss black finishes:** Mild soap may be used to clean the Grille Guard.

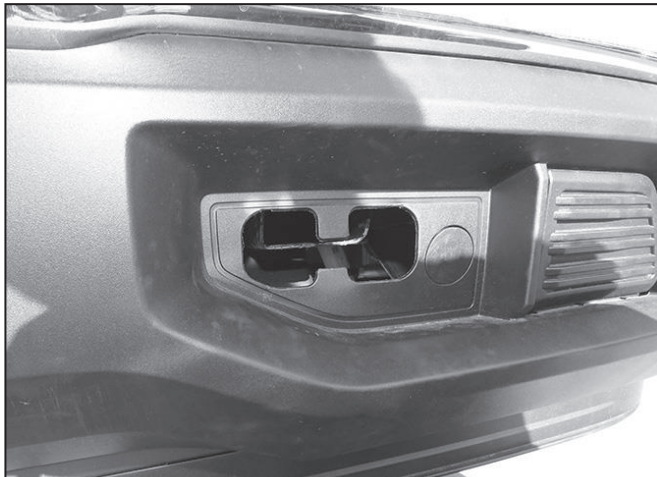
### Driver Side Mounting Bracket Installation Pictured



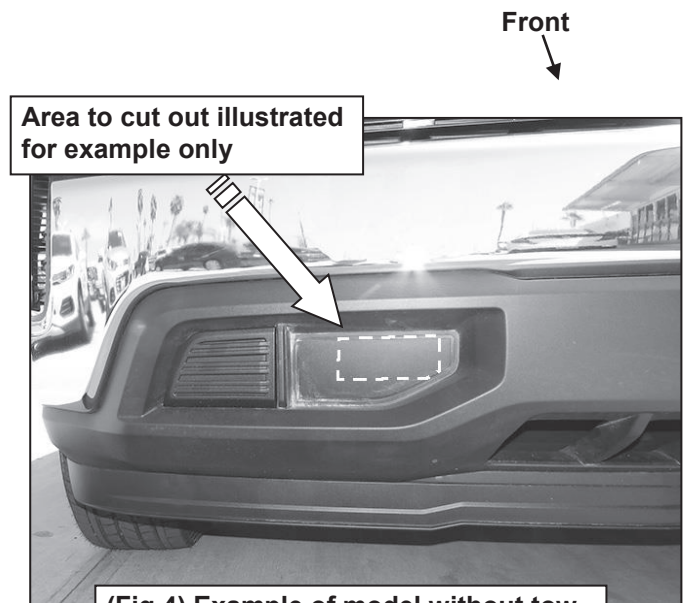
(Fig 1) Driver/left tow hook pictured



(Fig 2) Passenger/right tow hook pictured from behind bumper



(Fig 3) Tow hook removed. Opening may need to be trimmed to clear the Mounting Bracket assembly

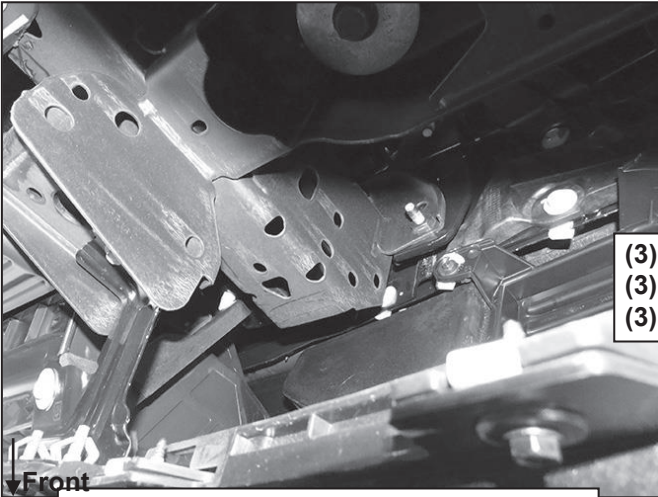


Area to cut out illustrated for example only

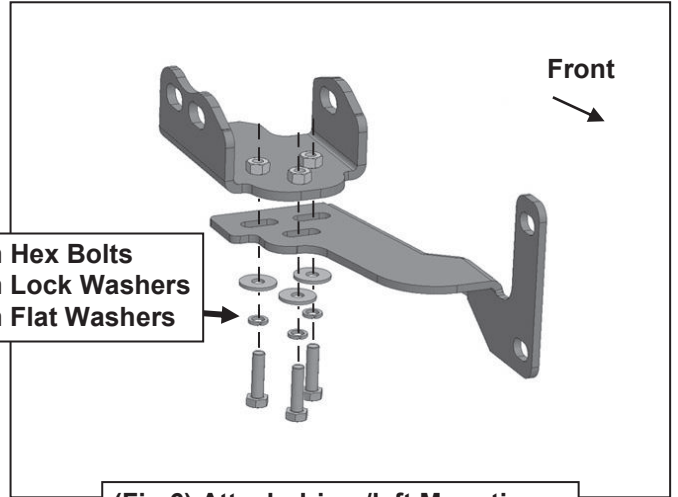
(Fig 4) Example of model without tow hooks, passenger/right side pictured



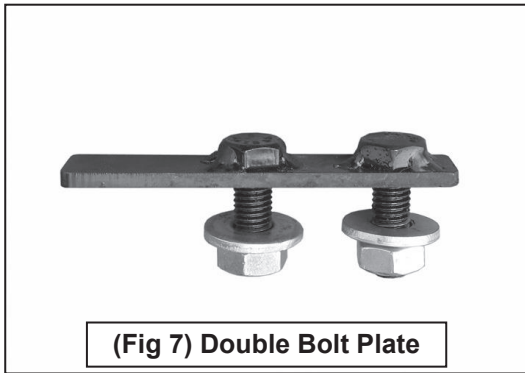
## Driver Side Mounting Bracket Installation Pictured



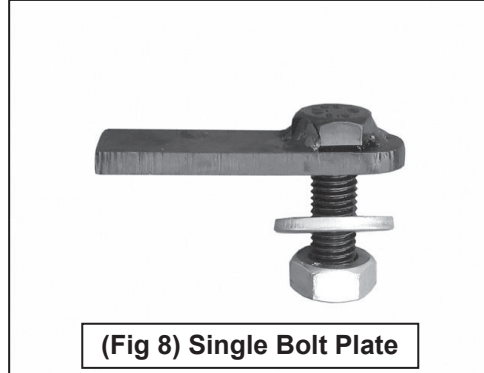
(Fig 5) Passenger/right side of frame and bumper pictured from behind bumper



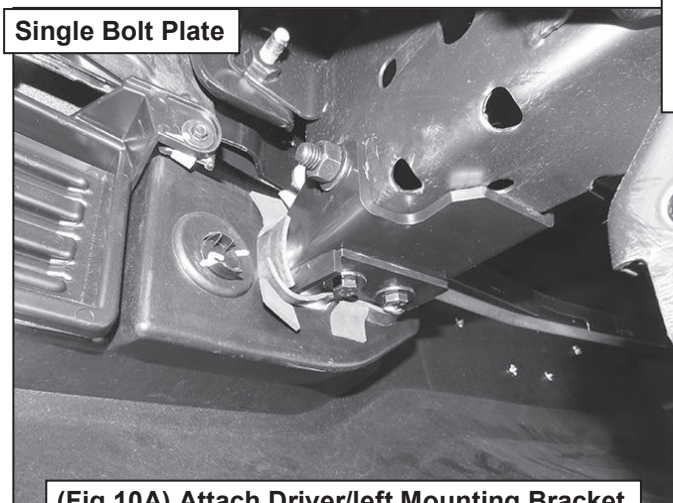
(Fig 6) Attach driver/left Mounting Bracket to bottom of Frame Bracket



(Fig 7) Double Bolt Plate



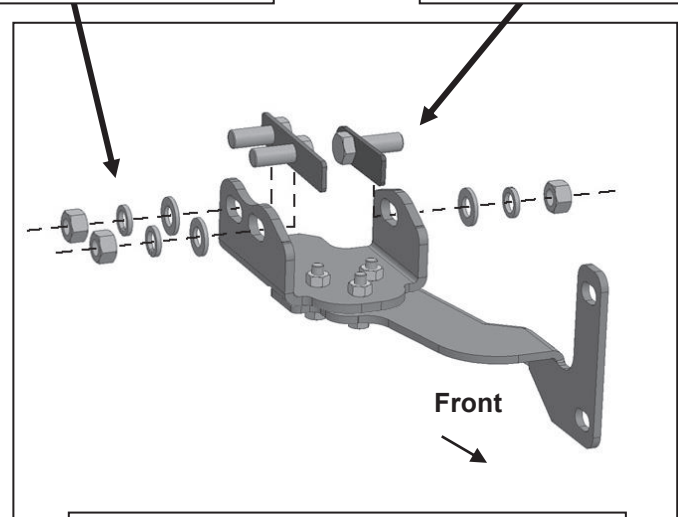
(Fig 8) Single Bolt Plate



(Fig 10A) Attach Driver/left Mounting Bracket assembly to end of frame with Bolt Plates

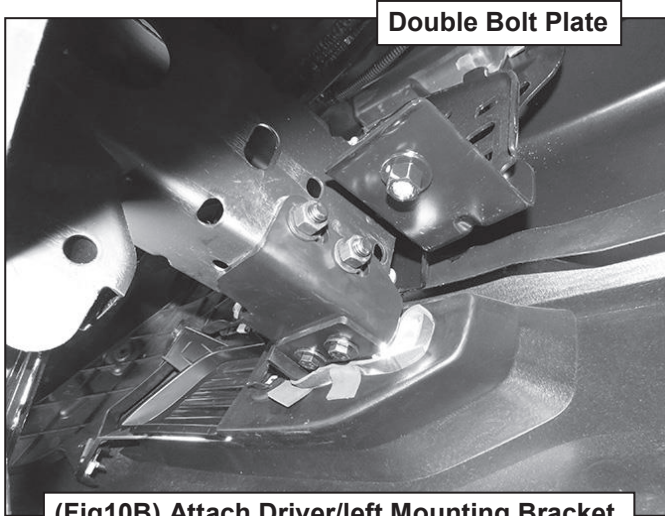
12mm Double Bolt Plate  
 (2) 12mm Flat Washers  
 (2) 12mm Lock Washers  
 (2) 12mm Hex Nuts

12mm Bolt Plate  
 12mm Flat Washer  
 12mm Lock Washer  
 12mm Hex Nut

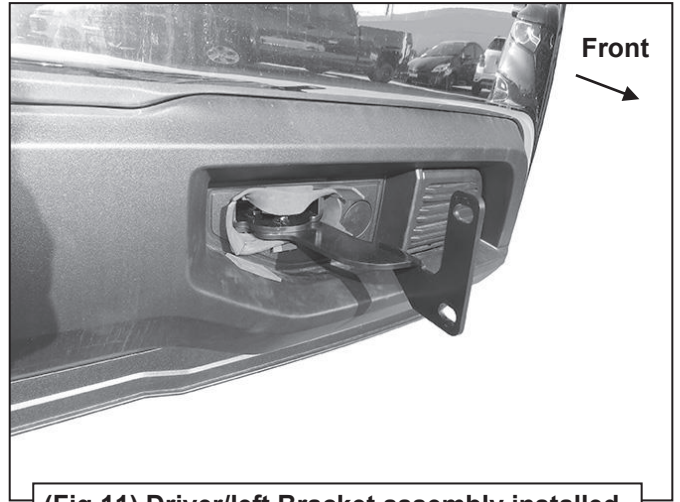


(Fig 9) Attach Driver/left Mounting Bracket assembly to end of frame with Bolt Plates

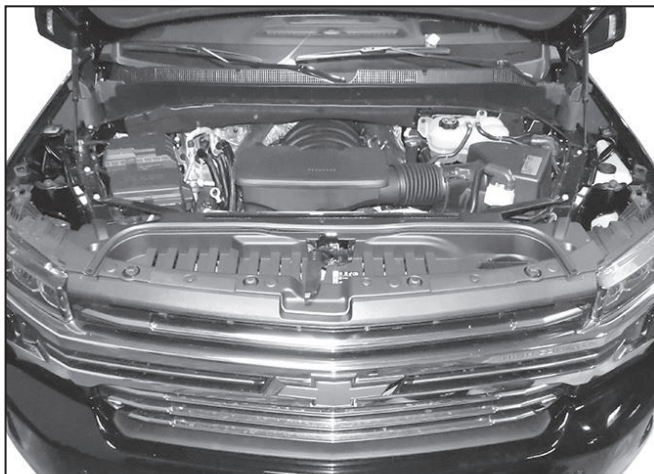
## Driver Side Mounting Bracket Installation Pictured



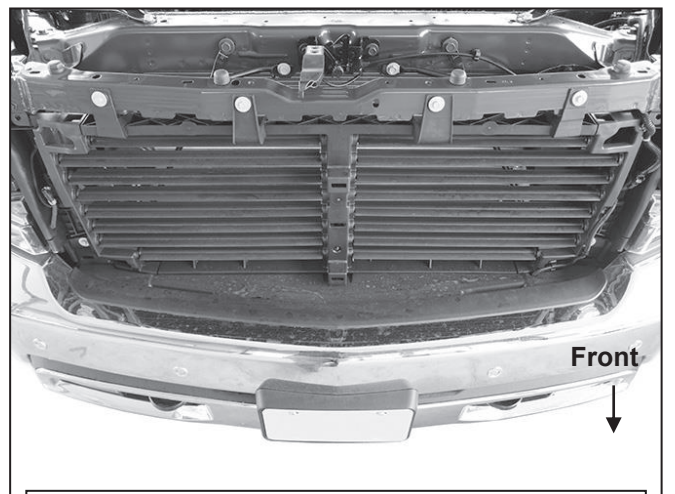
(Fig10B) Attach Driver/left Mounting Bracket assembly to end of frame with Bolt Plates



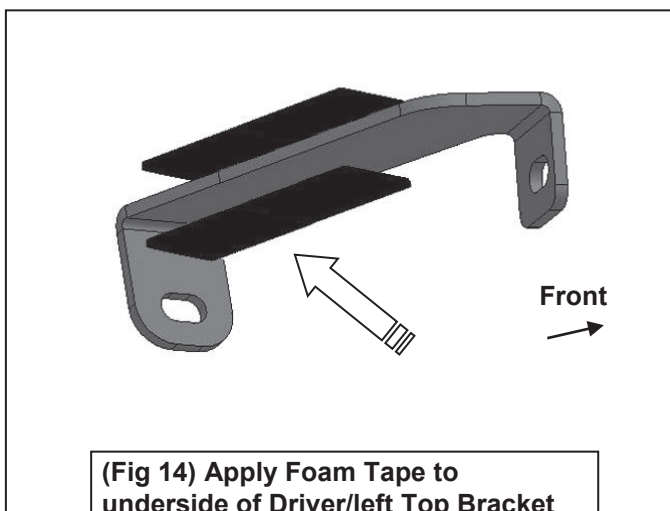
(Fig 11) Driver/left Bracket assembly installed



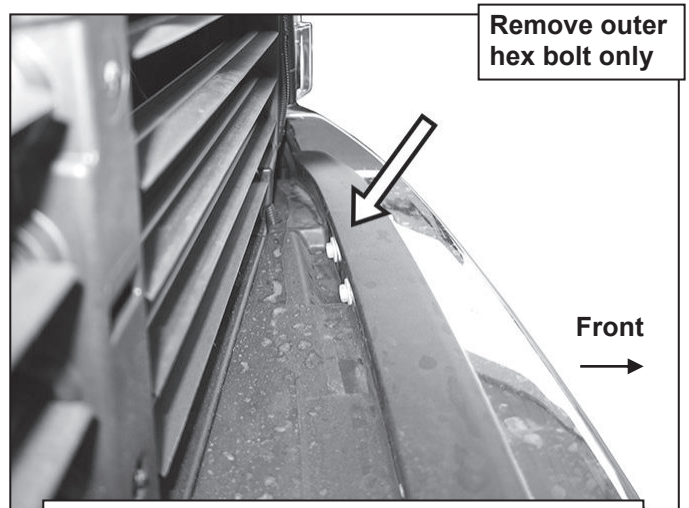
(Fig 12) Remove plastic cover from top of grille



(Fig 13) Remove screws attaching grille and carefully pull grille straight out to remove grille



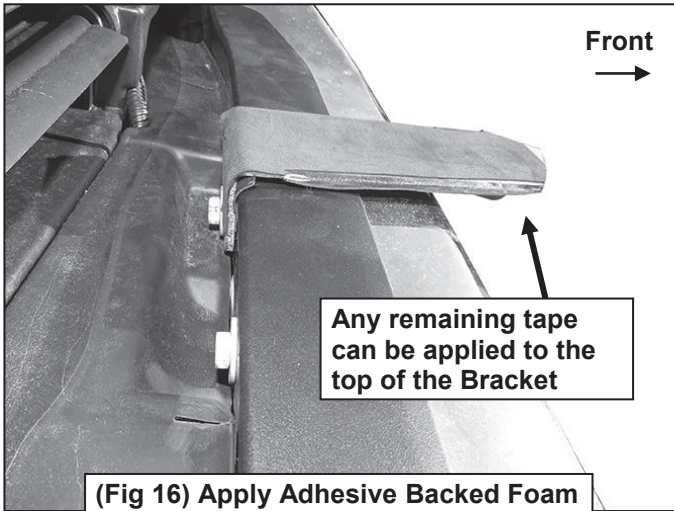
(Fig 14) Apply Foam Tape to underside of Driver/left Top Bracket



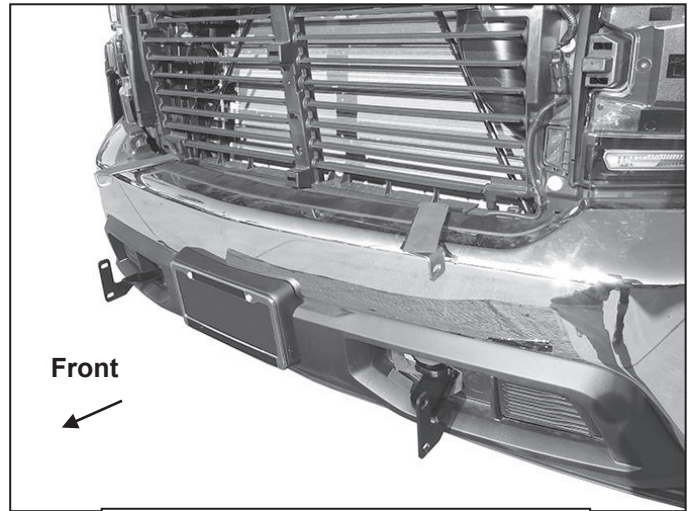
(Fig 15) Driver/left side top mounting location



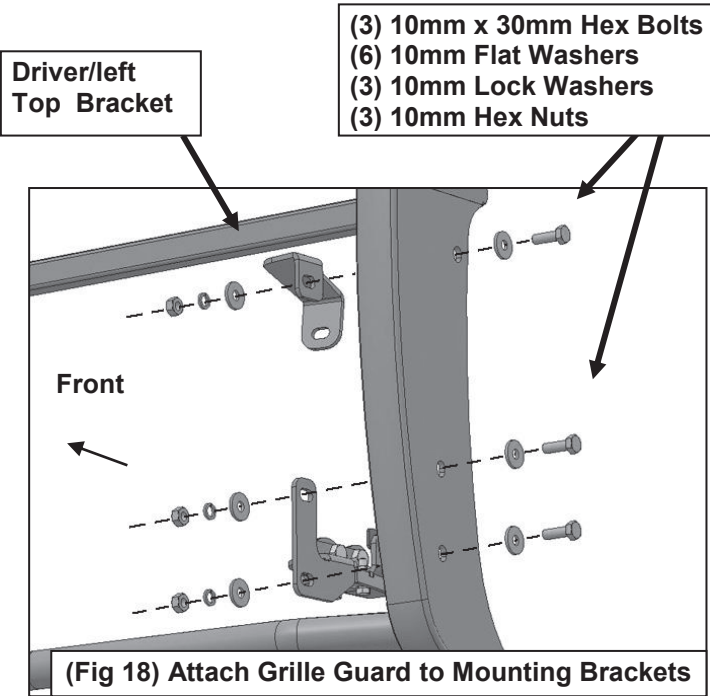
## Driver Side Mounting Bracket Installation Pictured



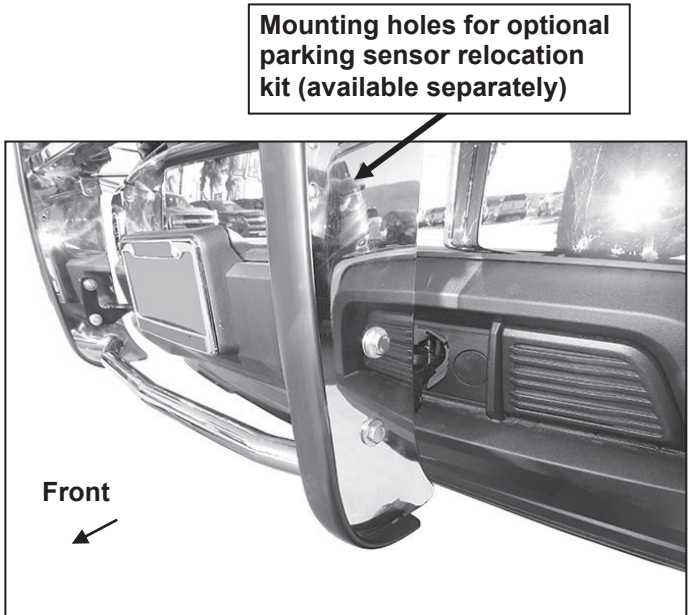
(Fig 16) Apply Adhesive Backed Foam Tape to the underside of Top Bracket



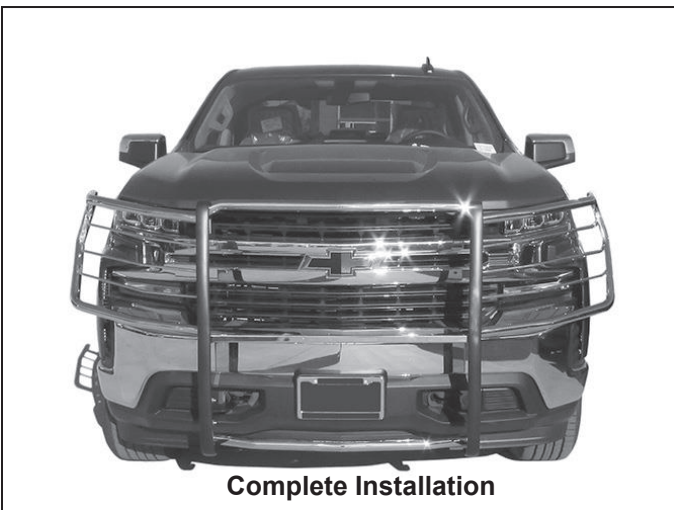
(Fig 17) Mounting Brackets installed



(Fig 18) Attach Grille Guard to Mounting Brackets



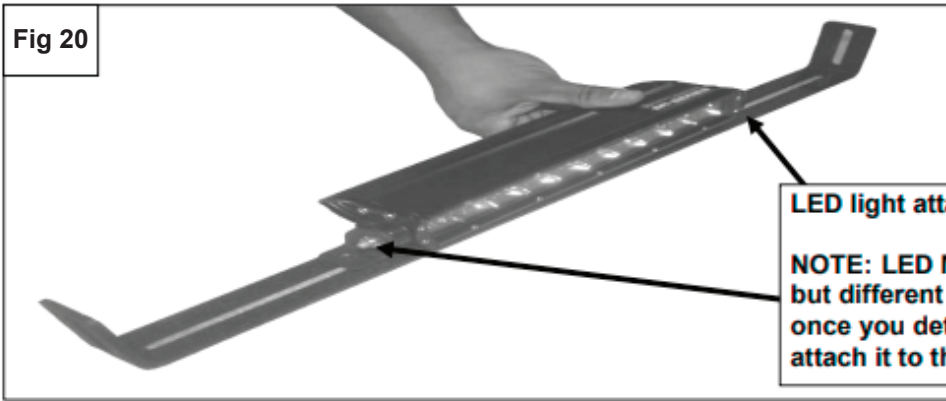
(Fig 19) Attach Grille Guard to Mounting Brackets



LED light install on following page

## LED Light Install

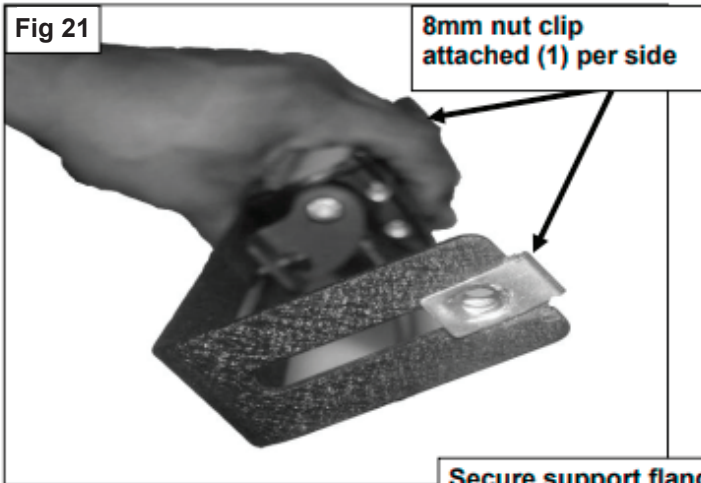
Fig 20



LED light attached to support flange.

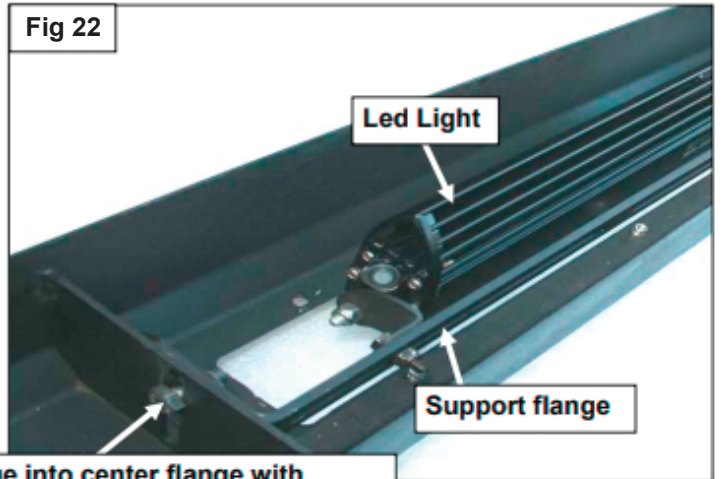
**NOTE:** LED Manufacturers will have similar but different mounting styles or brackets, once you determine your mounting options attach it to the support flange as seen.

Fig 21



8mm nut clip attached (1) per side

Fig 22



Led Light

Support flange

Secure support flange into center flange with  
(1) 8mm Hex head bolt  
(1) 8mm Flat Washers  
(1) 8mm Lock washer  
Per side.

Installation complete

