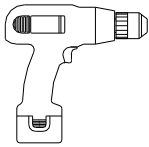


**IMPORTANT:**

**Manufacturer is not responsible for negligent use of vehicle with mud flaps installed, including over-tightening of screws and bolts causing damage to vehicle or mud flaps.**

**NO-DRILL SYSTEM**

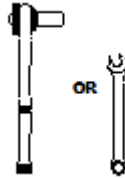
**TOOLS REQUIRED-**



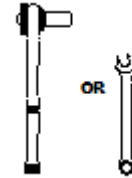
Electric or Rechargeable  
Drill



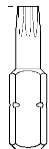
1/4" Drill  
Bit



5/16" Open Wrench or  
Socket Wrench



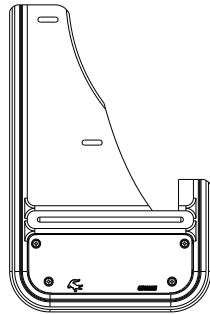
3/8" Open Wrench or  
Socket Wrench



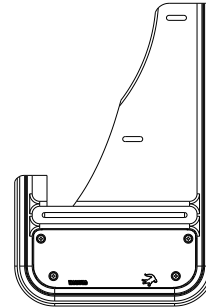
T15 Torx  
Bit

**FLAPS**

(1) Flap Assembly,  
Front, DS  
Part #766750

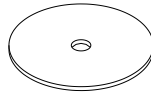


(1) Flap Assembly  
Front, PS  
Part #766751



**PARTS BAG # 766660**

a) (4) Washer, Flat  
0.203" x 1.5", 18GA, SS  
Part #018066



b) (4) Washer, Flat  
0.203" ID x 1" OD, 18ga, SS  
Part #018031



c) (2) Washer, Lock  
18-8SS, Helicoil  
Part #024001



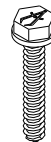
d) (2) Screw, Mach.  
18-8SS, 10-24x1, Hex Hd  
Part # 012022



e) (2) Nut, Hex  
#10-24, SS  
Part # 025003



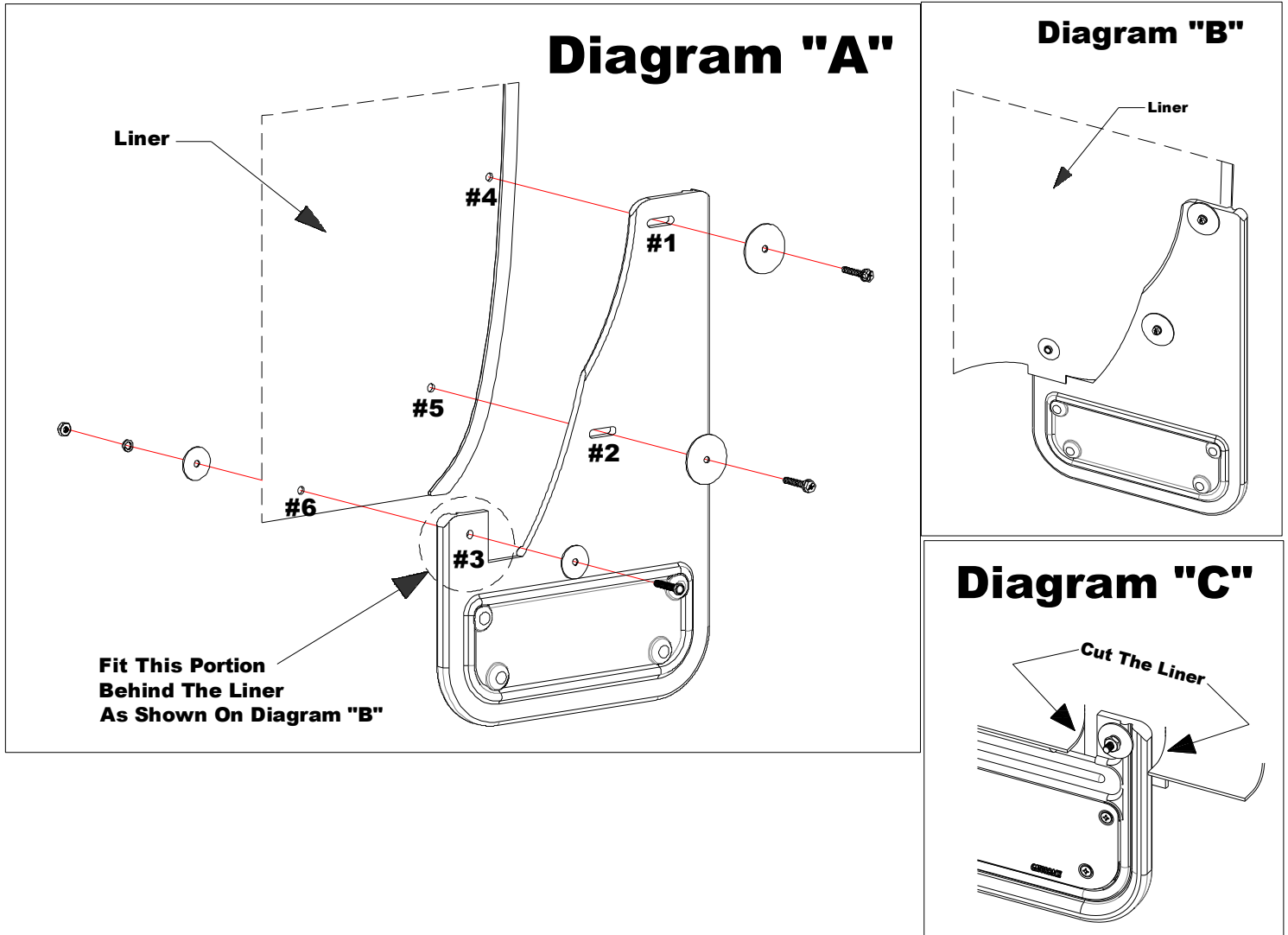
f) (4) Bolt, Hex Flange  
M4.2 x 1" Black, SS  
Part #016041



**INSTALLATION** (For ease of installation it is suggested that the wheel be removed)

1. Before you install your Mud Flap Set, see the diagram and parts list for all necessary parts. Start on the driver's side.
2. Remove 2 factory bolts from the fender
3. Secure flap through holes #1 and #2 to fender holes #4 and #5 using a stainless steel bolt (#016041) and a stainless steel washer (#018066). Ensure that the innermost part of the flap is tucked behind the fender liner as shown in Diagram B. Loosely secure at this point.
4. Using a bubble level or square, ensure that the mud flap is level. Viewing the vehicle from the back, the outer edge of the mud flap should appear parallel to the tires.

5. Cut liner to allow flap to sit flush against the back of the liner. (See Diagram "C")
6. Drill a 1/4" hole through the mud flap (#3) and liner (#6).
7. Secure the mud flap to the liner using a machine screw (#012022), two stainless steel washers (#018031), a lock washer (#024001) and a hex nut (#025003).
8. Carefully tighten all fasteners and ensure that the flap has remained level.
9. Repeat procedure for the passenger side.



Please check out our YouTube channel to see an install video for this application.

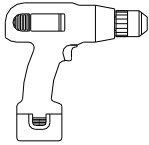


**IMPORTANT:**

**Manufacturer is not responsible for negligent use of vehicle with mud flaps installed, including over-tightening of screws and bolts causing damage to vehicle or mud flaps.**

## NO-DRILL SYSTEM

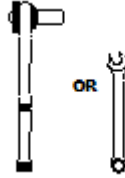
### TOOLS REQUIRED-



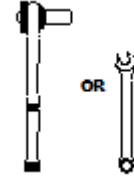
Electric or Rechargeable  
Drill



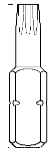
1/4" Drill  
Bit



5/16" Open Wrench or  
Socket Wrench



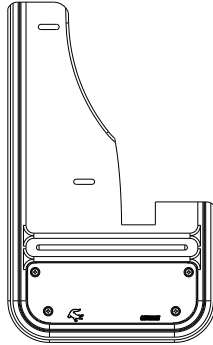
3/8" Open Wrench or  
Socket Wrench



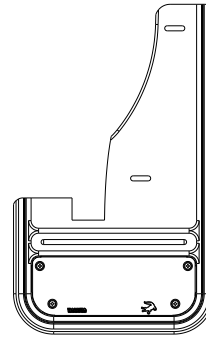
T15 Torx  
Bit

### FLAPS

(1) Flap Assembly,  
Front, DS  
Part #766756

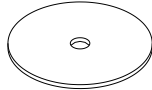


(1) Flap Assembly  
Front, PS  
Part #766757



### PARTS BAG # 766660

a) (4) Washer, Flat  
0.203" x 1.5", 18GA, SS  
Part #018066



b) (4) Washer, Flat  
0.203" ID x 1" OD, 18ga, SS  
Part #018031



c) (2) Washer, Lock  
18-8SS, Helicoil  
Part #024001



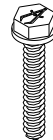
d) (2) Screw, Mach.  
18-8SS, 10-24x1, Hex Hd  
Part # 012022



e) (2) Nut, Hex  
#10-24, SS  
Part # 025003



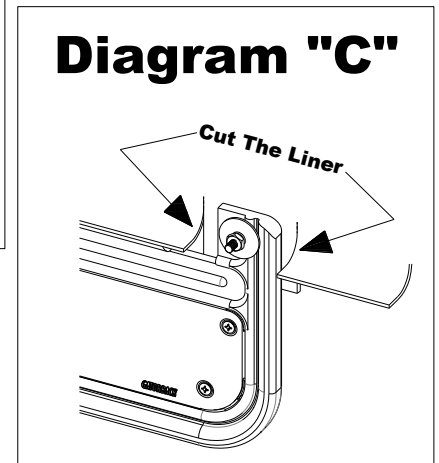
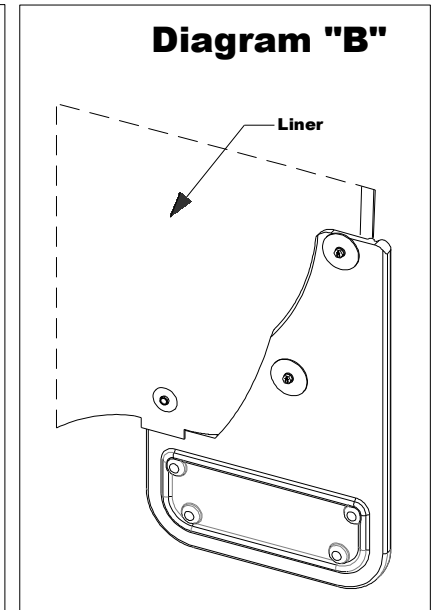
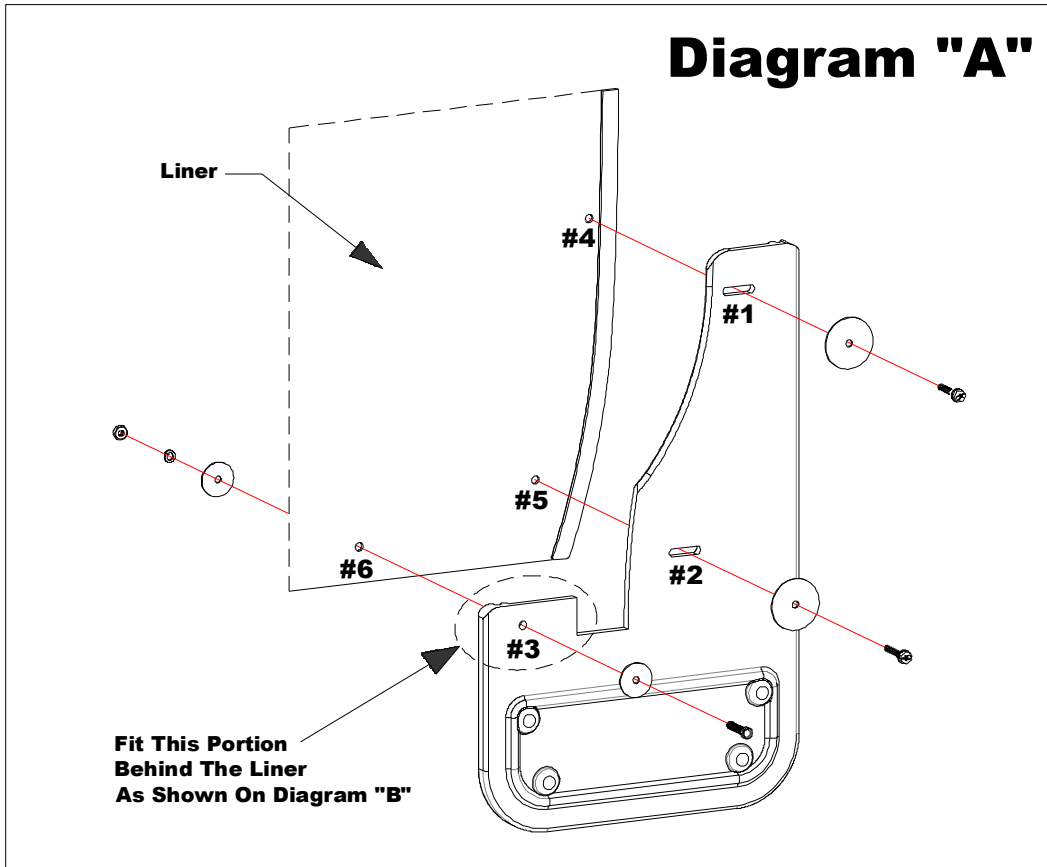
f) (4) Bolt, Hex Flange  
M4.2 x 1" Black, SS  
Part #016041



### INSTALLATION (For ease of installation it is suggested that the wheel be removed)

1. Before you install your Mud Flap Set, see the diagram and parts list for all necessary parts. Start on the driver's side.
2. Remove 2 factory bolts from the fender
3. Secure flap through holes #1 and #2 to fender holes #4 and #5 using a stainless steel bolt (#016041) and a stainless steel washer (#018066). Ensure that the innermost part of the flap is tucked behind the fender liner as shown in Diagram B. Loosely secure at this point.
4. Using a bubble level or square, ensure that the mud flap is level. Viewing the vehicle from the back, the outer edge of the mud flap should appear parallel to the tires.

5. Cut liner to allow flap to sit flush against the back of the liner. (See Diagram "C")
6. Drill a 1/4" hole through the mud flap (#3) and liner (#6).
7. Secure the mud flap to the liner using a machine screw (#012022), two stainless steel washers (#018031), a lock washer (#024001) and a hex nut (#025003).
8. Carefully tighten all fasteners and ensure that the flap has remained level.
9. Repeat procedure for the passenger side.



Please check out our YouTube channel to see an install video for this application.

