



20-22 Silverado HD
Nylon Mud Flap Set, 1.5" Offset, Front
Mounting Diagram & Instructions
Kit# GCN203F

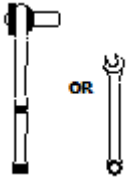
TO BE USED WITH SILVERADO CAP PART #FC002K

IMPORTANT:

Manufacturer is not responsible for negligent use of vehicle with mud flaps installed, including over-tightening of screws and bolts causing damage to vehicle or mud flaps.



TOOLS REQUIRED-



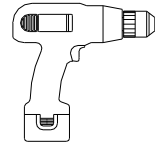
7/16" Open Wrench or
Socket Wrench



1/4" Socket Driver



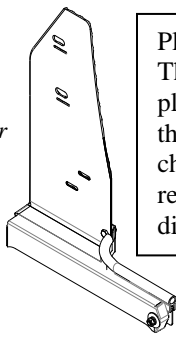
T15 Torx
Bit



Electric or Rechargeable
Drill

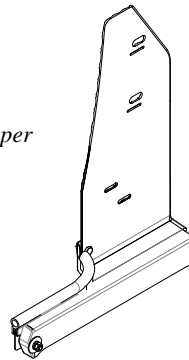
FLAPS

(1) Flap Assy Upper
Front, DS
Part #770433

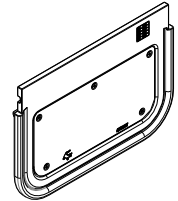


Please note:
There will be a
plastic piece in
the upper mount
channel. Please
remove and
discard.

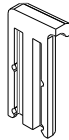
(1) Flap Assy Upper
Front, PS
Part #770434



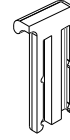
(2) Rubber Flap
Universal
12" x 8-3/4"



(1) Nylon Cap
Driver Side
Part #080642



(1) Nylon Cap
Passenger Side
Part #080643



PARTS BAG # 770424

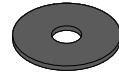
a) (4) Capscrew
1/4"-20UNC x 5/8" SS, ox.
Part #014071



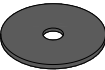
b) (4) Screw, Sheet Metal, Blk Ox.
1/4" Hex Washer Head, #8-18x1.25"
Part #016061



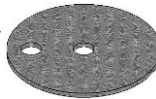
c) (4) Washer, Flat
0.281" x 1", 18g, SS, oxid.
Part #018069



d) (2) Washer, Flat
0.203" x 1", 18g, SS, oxid.
Part #018070



e) (2) Offset Washer
0.203" x 1"
Part #018080



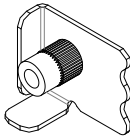
f) (2) Washer, Nylon
0.265" x 0.625" x 0.06"
Part #054071



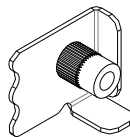
g) (4) Spacer Washer
7/16" x 1" x 1/4"
Part #054091



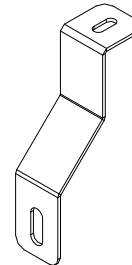
h) (2) Mud Flap Clip
Driver Side
Part #769312



i) (2) Mud Flap Clip
Passenger Side
Part #769313

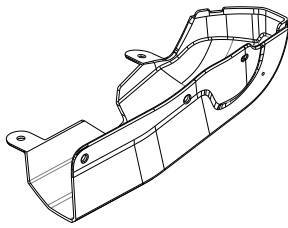


j) (2) Brace
Front
Part #770426

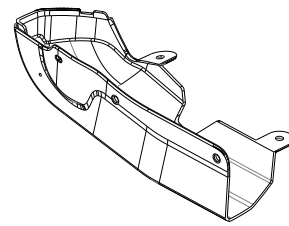


SOLD SEPARATELY: FC002K FINISHING CAPS

(1) Molded Cap
Driver's Side



(1) Molded Cap
Passenger's Side

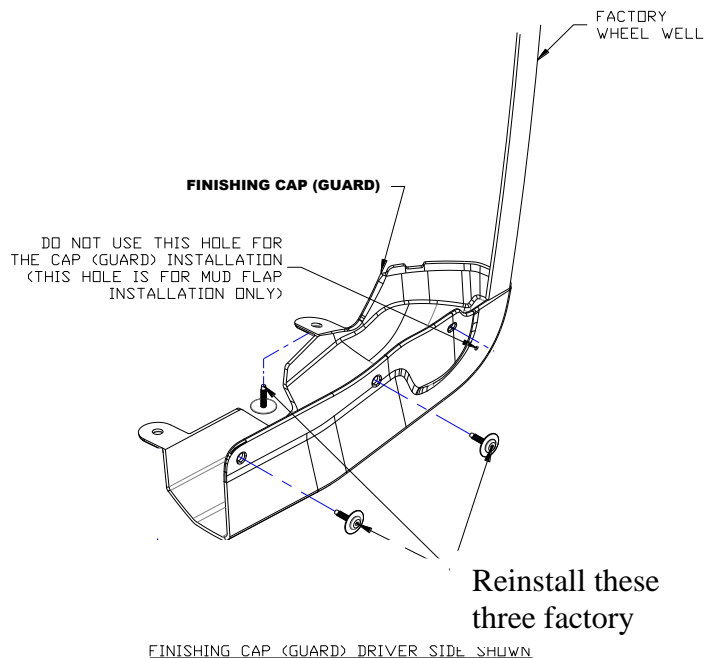
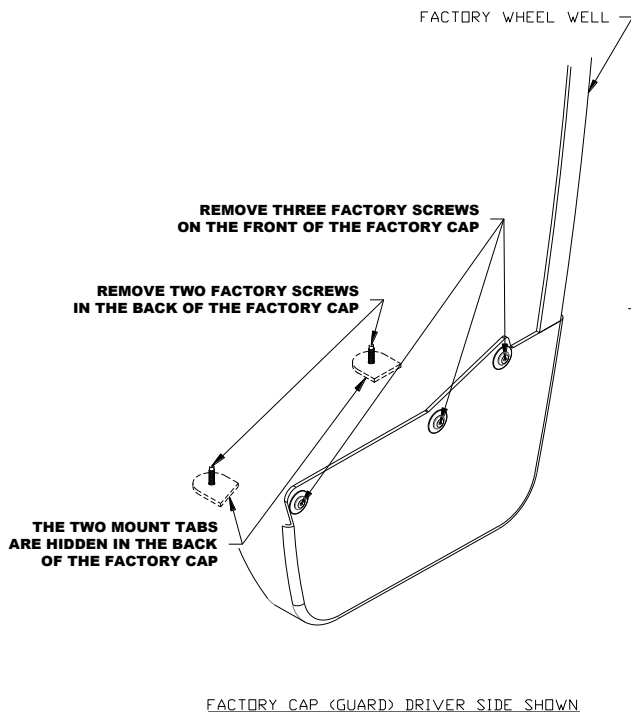


INSTALLATION - Start with installation of Truck Hardware Finishing Cap

(For ease of installation it is suggested that the wheel be removed)

CAPS:

1. Remove the 5 factory screws from the existing factory guard. Set this hardware aside for later reinstallation.
2. Gently pull the flare molding away from the body of the truck, and then quickly pull the guard down and away from the body of the truck to release the clip on the inside of the factory guard.
3. Slightly peel back the red 3M tape on the finishing cap and fold back so it can be fully peeled after cap is in place.
4. Position cap, ensuring the top lip of the cap slides under the fender molding as shown.
5. If installing Gatorback Mud Flaps, reinstall the factory screw on the outermost hole on the back of the finishing cap, and the two innermost holes on the front of the finishing cap.
6. Finish peeling 3M tape and press firmly on the bottom and side of the finishing cap to ensure a proper seal.
7. Repeat procedure on passenger side.

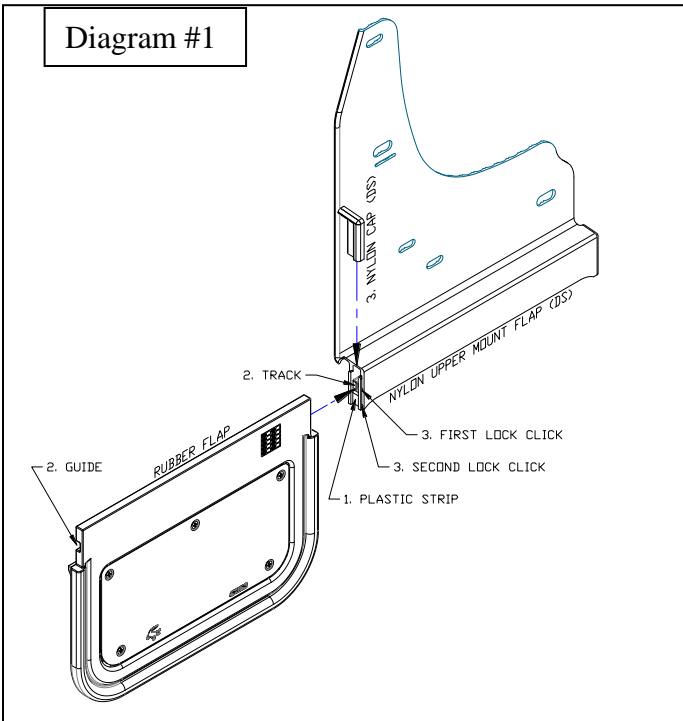


Please check out our YouTube channel to see an install video for this application.
Silverado Front, Page 2



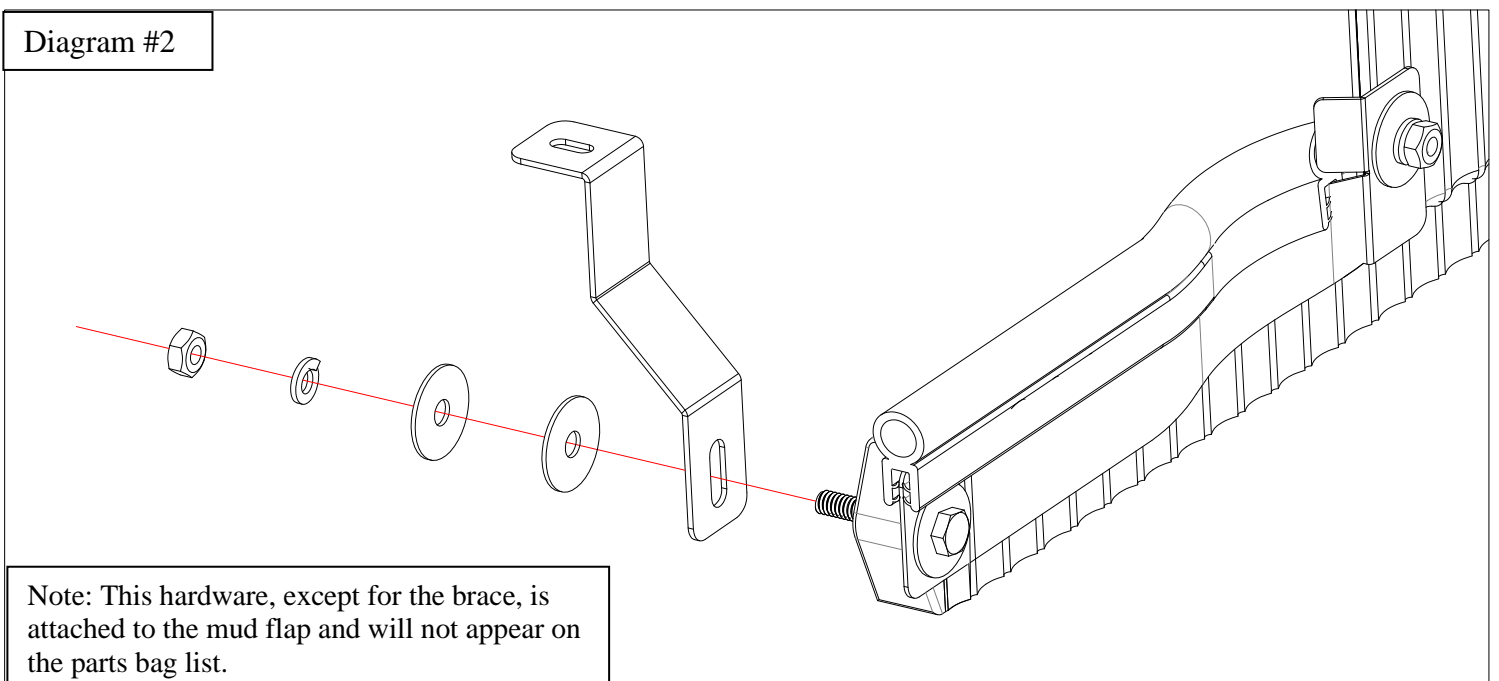
ASSEMBLY OF NYLON MUD FLAPS:

1. Remove and discard the plastic strip inside the track at the bottom of the nylon upper mount. (See Diagram #1).
2. Slide rubber guide into track of nylon upper mount.
3. Install included cap(s) on bottom of nylon upper mount. To fully lock this cap into place, you should hear two clicks, and cap will be even with the offset part of the upper mount. (See Diagram #1).
4. Repeat Procedure for second mud flap.

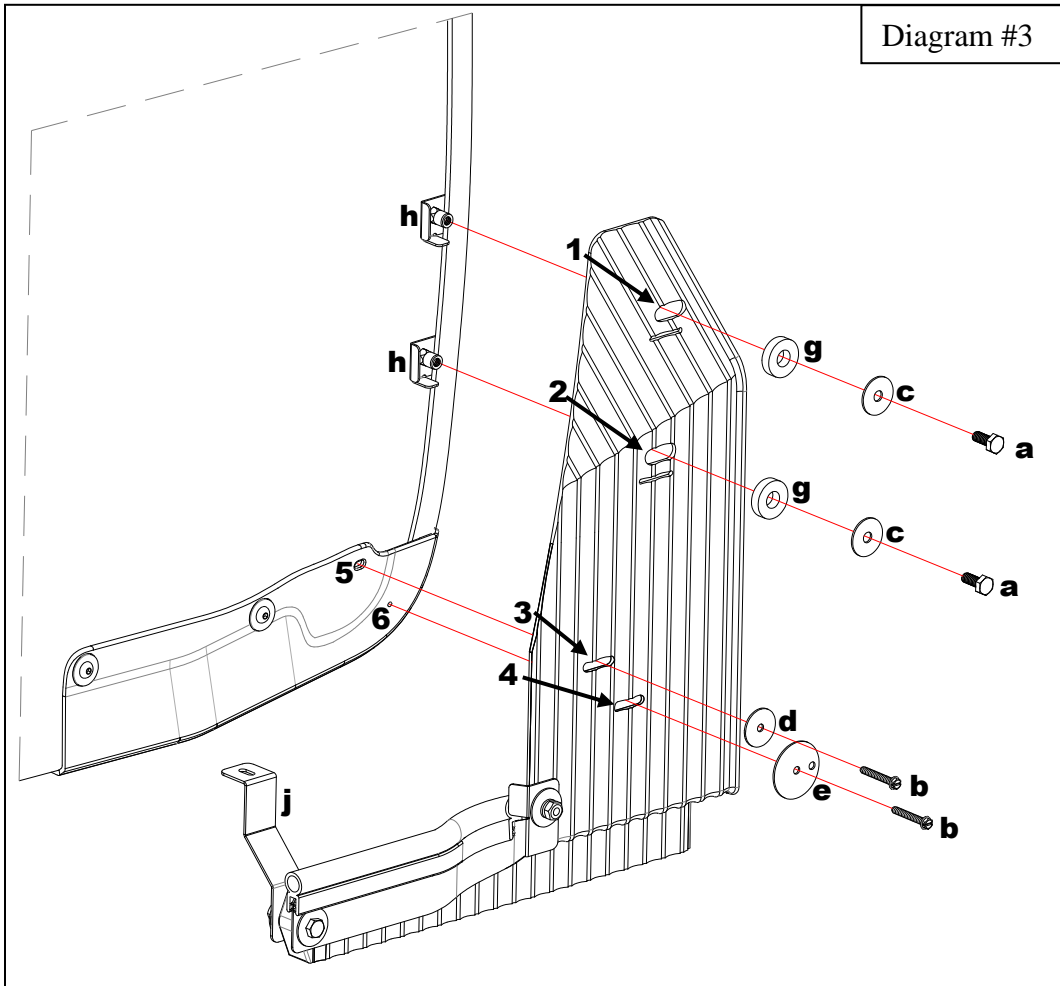


MUD FLAPS:

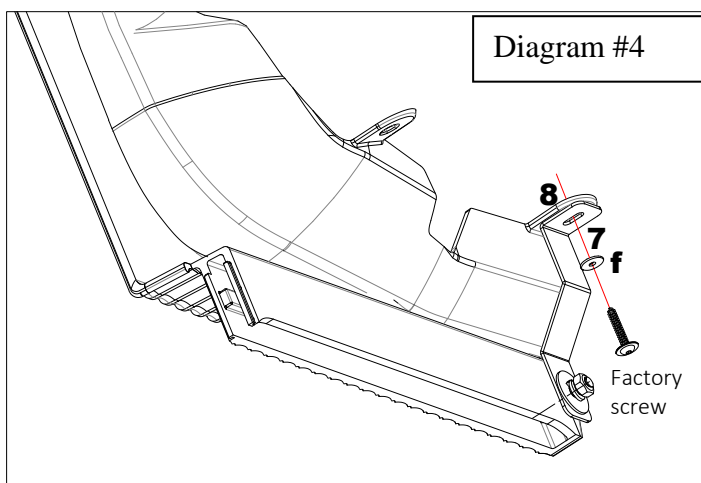
1. Before you install your Mud Flap Set, see the diagram and parts list for all necessary parts. Start on the driver's side.
2. Remove the hex nut, lock washer, black stainless washer, and white nylon washer from the inner most mud flap hole, install brace (j), and reinstall hardware. (See Diagram #2)



3. Install mud flap clips (h) to mud flap holes #1 & #2 using a cap screw (a), flat washer (c), and spacer washer (g). (See Diagram #3)
4. Loosely install mud flap hole #3 to finishing cap hole #5 using screw (b) and flat washer (d). (See diagram #3)
5. Slide mount clips (h) behind fender lip. (See Diagram #3)
6. Install mud flap hole #4 to finishing cap dimple #6 using a screw (b) and offset washer (e). (See Diagram #3)



7. Install bracket hole #7 to finishing cap hole #8 using factory screw and nylon washer (f) (See Diagram #4)
8. Using a bubble level or other levelling tool, ensure that the mud flap is level. Tighten fasteners.
9. Repeat procedure for passenger side.



Please check out our YouTube channel to see an install video for this application.





20-22 Silverado HD
Nylon Mud Flap Set, 1.5" Offset, Rear
Mounting Diagram & Instructions
Kit# GCN203R

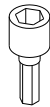
TO BE USED WITH SILVERADO CAP PART #FC002K

IMPORTANT:

Manufacturer is not responsible for negligent use of vehicle with mud flaps installed, including over-tightening of screws and bolts causing damage to vehicle or mud flaps.



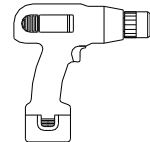
TOOLS REQUIRED-



1/4" Socket Driver



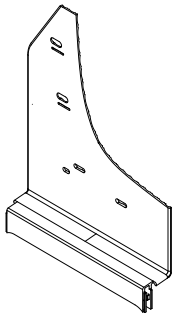
T15 Torx Bit



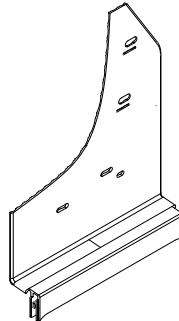
Electric or Rechargeable Drill

FLAPS

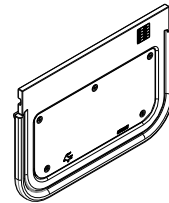
(1) Flap Assy Upper Front, DS
 Part #770431



(1) Flap Assy Upper Front, PS
 Part #770432

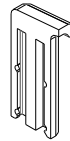


(2) Rubber Flap Universal
 12" x 10-3/4"

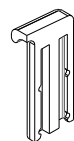


Please note: There will be a plastic piece in the upper mount channel. Please remove and discard.

(2) Nylon Cap Driver Side
 Part #080642



(2) Nylon Cap Passenger Side
 Part #080643



PARTS BAG # 770425

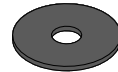
a) (4) Capscrew
 1/4"-20UNC x 5/8" SS, ox.
 Part #014071



b) (6) Screw, Sheet Metal, Blk Ox.
 1/4" Hex Washer Head, #8-18x1.5"
 Part # 016063



c) (4) Washer, Flat
 0.281" x 1", 18g, SS, oxid.
 Part #018069



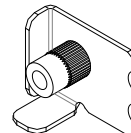
d) (6) Offset Washer
 0.203" x 1"
 Part #018080



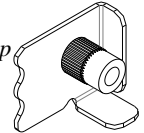
e) (4) Spacer Washer
 7/16" x 1" x 1/4"
 Part #054091



f) (2) Mud Flap Clip Driver Side
 Part # 769312

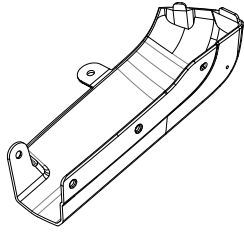


g) (2) Mud Flap Clip Passenger Side
 Part #769313

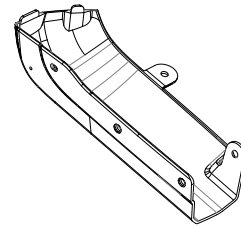


SOLD SEPARATELY: FC002K FINISHING CAPS

(1) Molded Cap
Driver's Side



(1) Molded Cap
Passenger's Side

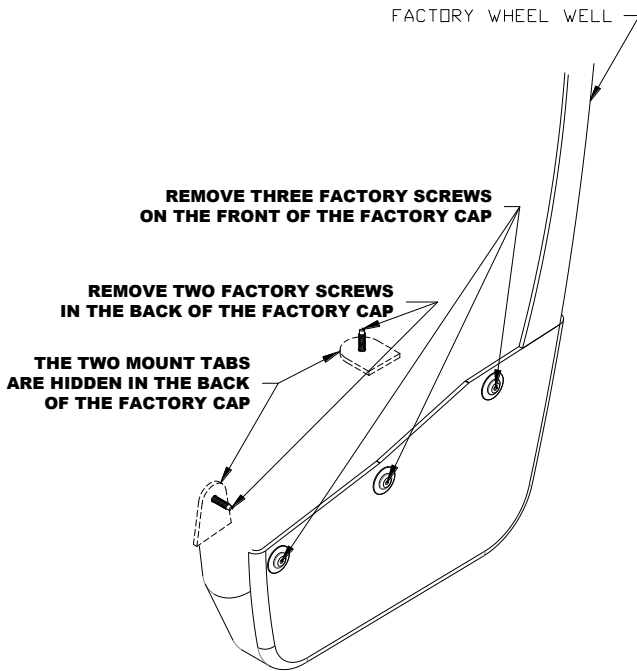


INSTALLATION - Start with installation of Truck Hardware Finishing Cap

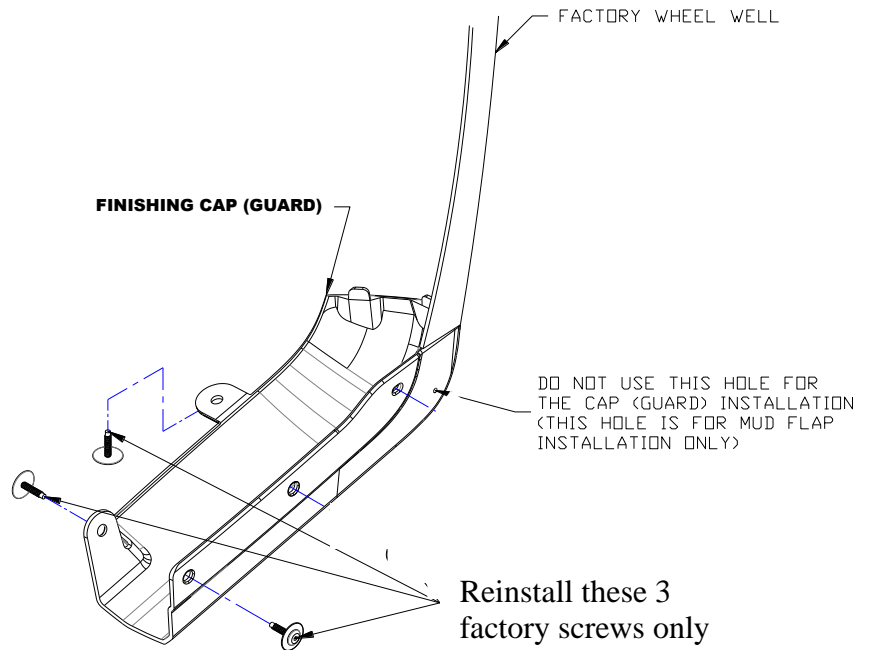
(For ease of installation it is suggested that the wheel be removed)

CAPS:

1. Remove the 5 factory screws from the existing factory guard. Set this hardware aside for later reinstallation.
2. Gently pull the guard from the truck.
3. Position cap, ensuring the top lip of the cap slides under the fender molding as shown.
4. Reinstall the factory screws on the underside, back, and far inside holes of the finishing cap. Be careful not to overtighten.
5. Repeat procedure on passenger side.



FACTORY CAP (GUARD) DRIVER SIDE SHOWN



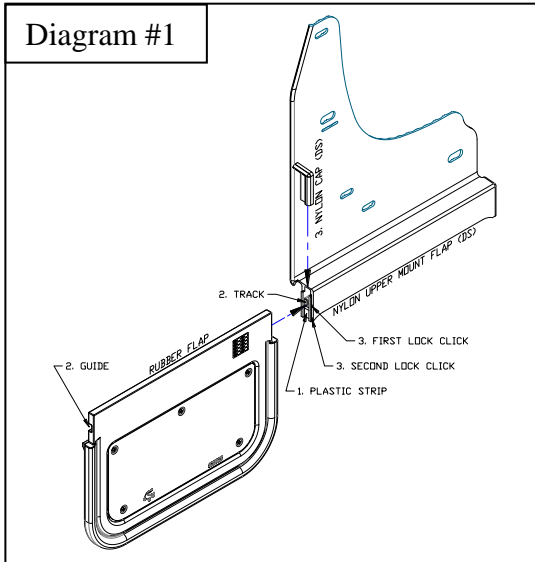
FINISHING CAP (GUARD) DRIVER SIDE SHOWN

Please check out our YouTube channel to see an install video for this application.

ASSEMBLY OF NYLON MUD FLAPS:

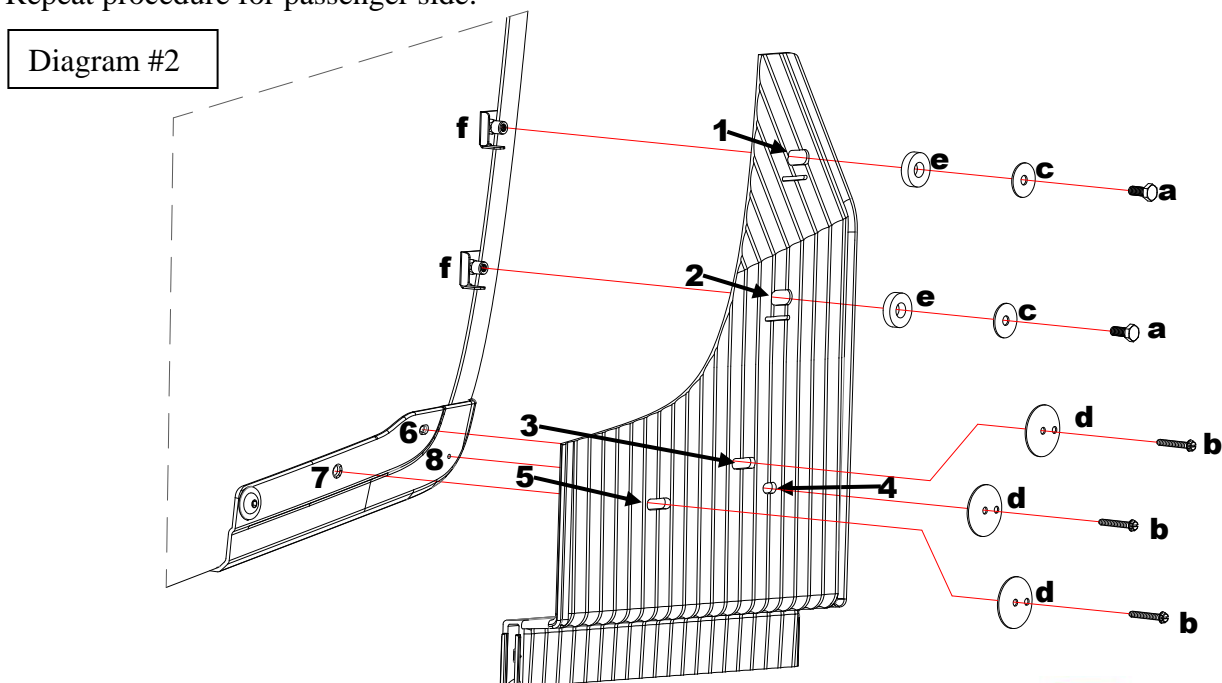
(See Diagram #1).

1. Remove and discard the plastic strip inside the track at the bottom of the nylon upper mount.
2. Slide rubber guide into track of nylon upper mount.
3. Install included cap(s) on bottom of nylon upper mount. To fully lock this cap into place, you should hear two clicks, and cap will be even with the offset part of the upper mount.
4. Repeat Procedure for second mud flap.



MUD FLAPS: (See Diagram #2)

8. Before you install your Mud Flap Set, see the diagram and parts list for all necessary parts. Start on the driver's side.
2. Install mount clips (f) on mud flap holes #1 & #2 using a cap screw (a), flat washer (c), and spacer washer (e)
3. Loosely install mud flap hole #3 to finishing cap hole #6 using a screw (b) and offset washer (d).
4. Slide mount clips (f) behind fender lip.
5. Loosely install mud flap hole #5 to finishing cap hole #7 using a screw (b) and offset washer (d).
6. Loosely install mud flap hole #4 to finishing cap dimple #8 using a screw (b) and offset washer (d).
7. Using a bubble level or other levelling tool, ensure that the mud flap is level. Tighten fasteners.
8. Repeat procedure for passenger side.



Please check out our YouTube channel to see an install video for this application.

